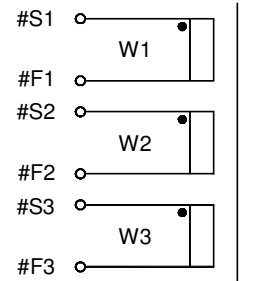
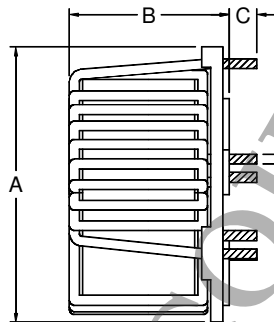
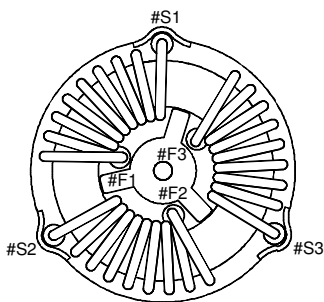
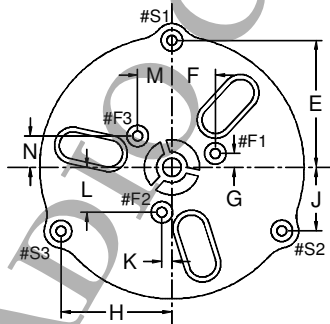
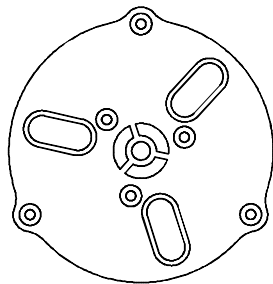


TL40 Series

- Inductance range : 1mH min. ~ 7.2mH min.
- Current range : 6 ~ 30A
- Dielectric strength: 2500Vrms
- Easy assembly
- Compact design



Schematic



	A	B	C	D	E	F	G	H	J	K	L	M	N
Dimension (mm)	46.0	29.0	4.5	see note	20.7	7.0	2.3	18.0	10.4	1.6	7.4	5.6	5.0
Tolerance (mm)	max.	max.	± 1.0	± 0.1	ref.	ref.	ref.	ref.	ref.	ref.	ref.	ref.	ref.

Note : Dimension "D" refers to "Winding Diameter" in the following table.

Part Number	Inductance (mH, min.)	Rated Current (Arms)	DC Resistance (mΩ, max.)	Number of Windings	Winding Diameter (mm)	Approx. Weight (g)
TL40-060-001	7.2	6	43.5	3	Ø1.0	70
TL40-080-001	5.6	8	27	3	Ø1.2	74
TL40-120-001	4.2	12	19.5	3	Ø1.3	73
TL40-150-001	3.3	15	15.5	3	Ø1.4	75
TL40-180-001	2.2	18	9.5	3	Ø1.6	78
TL40-200-001	1.8	20	8.5	3	Ø1.8	82
TL40-250-001	1.3	25	7.5	3	Ø2.0	84
TL40-300-001	1	30	5	3	Ø2.3	90