

THAI LIN RADIO since 1975

Трансформаторы тока
измерительные с проводам
CURRENT TRANSFORMER
WITH POWER CORD



TL75 Series

NEW

- Encased in plastic housing with mounting ears
- Terminated with H03VVH2-F power cord
- Frequency range: 50 ~ 400Hz
- Dielectric strength: 2500Vrms
- Ideal for current measurement and detection

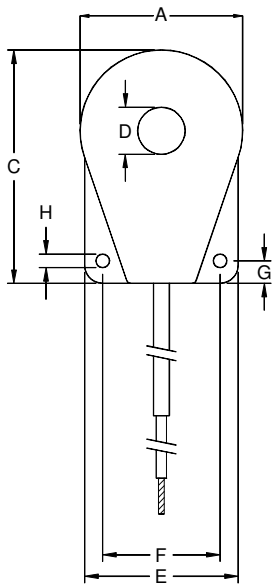


Fig. A

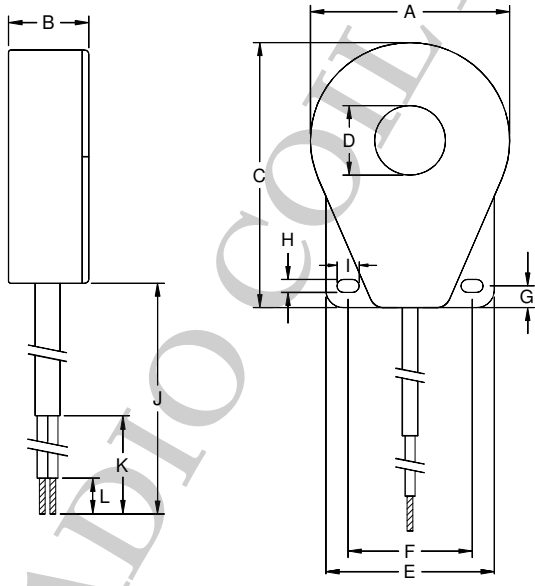
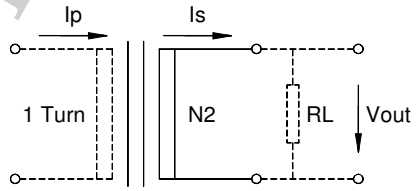


Fig. B



Test Circuit

Product Series	Dimension (mm)												Fig	Weight (g)
	A	B	C	D	E	F	G	H	I	J	K	L		
TL75-1	37.0	18.5	53.0	∅11.0	34.5	26.0	5.0	3.0	--	750.0	30.0	8.0	A	80
TL75-2	46.0	20.5	62.0	∅16.0	38.5	28.0	5.0	3.0	5.0	750.0	30.0	8.0	B	130
Tolerance	max.	max.	max.	± 0.5	max.	± 0.5	± 0.5	± 0.5	± 0.5	± 20.0	typ.	typ.	--	approx.



THAI LIN RADIO since 1975

CURRENT
TRANSFORMER
WITH POWER CORD

Product Series	Part Number	Turn Ratio	Input Current (A, max.)	Output Voltage (V, max.)
TL75-1	TL75-1-0300	1 : 300	90	4.5
	TL75-1-0500	1 : 500		8.0
	TL75-1-1000	1 : 1000		16
	TL75-1-2000	1 : 2000		32
	TL75-1-3000	1 : 3000		48
TL75-2	TL75-2-0300	1 : 300	270	2.7
	TL75-2-0500	1 : 500		5.4
	TL75-2-1000	1 : 1000		8.91
	TL75-2-2000	1 : 2000		13.5
	TL75-2-3000	1 : 3000		27

Note: The output voltage can be varied by adjusting the loading resistance RL.