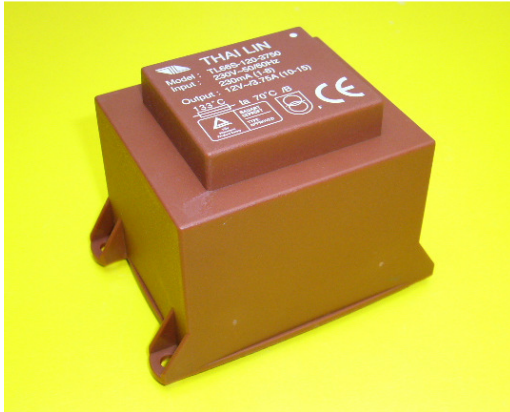




THAI LIN RADIO

since 1975

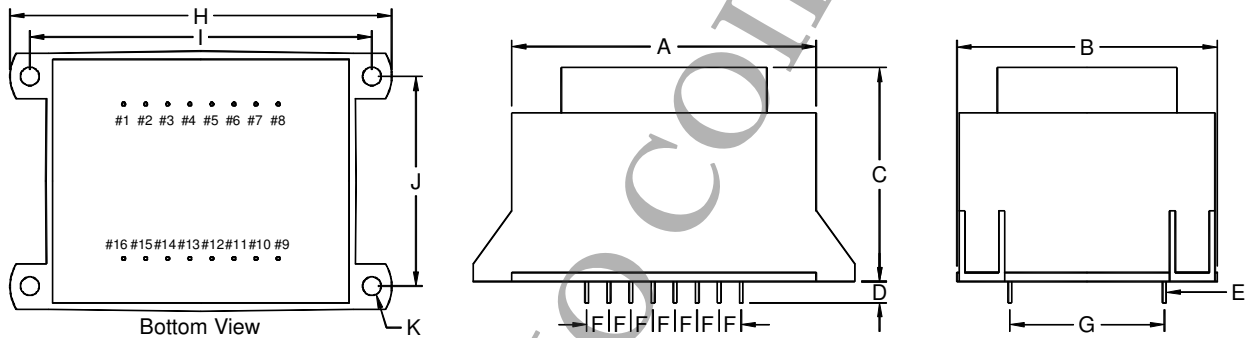
Трансформаторы
герметизированные EI66x35
45-55VA STANDARD
ENCAPSULATED
TRANSFORMER TYPE EI66 / 35



Type EI66 / 35

- Power – 45/48/50/52/55VA
- Frequency – 50/60 Hz
- Temperature class – Class B (130°C)
- Ambient temperature (ta) – 40°C / 70°C
- Dielectric strength – 4000Vrms
- Potted under vacuum
- Agency approvals
 - TUV / CE: EN61558 / EN60950
 - UL: UL5085-1 / -2
 - C-UL: CSA C22.2 #66.1 / #66.2

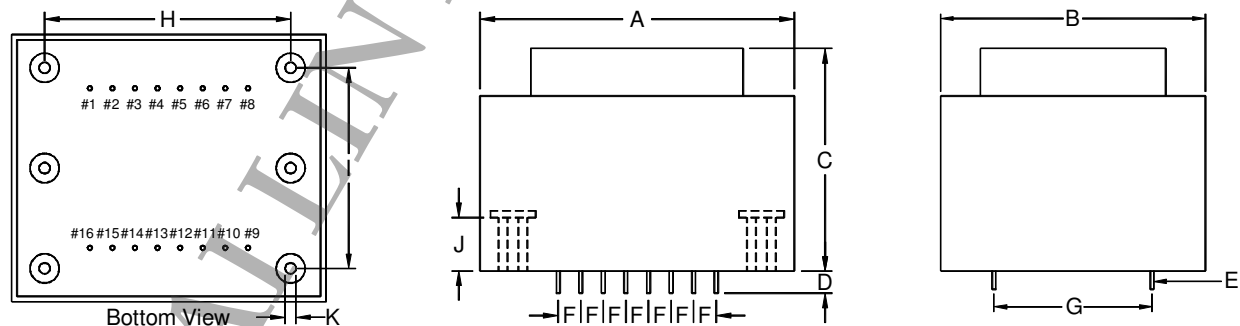
Potting Shell – Type A



	A	B	C	D	E	F	G	H	I	J	K	Weight (g)
Dimension (mm)	69.5	60.5	61.5	4.0	φ0.8	5.0	35.0	88.0	77.5	47.5	φ4.2	1030
Tolerance (mm)	±1.0	±1.0	±1.0	±1.0	±0.1	±0.2	±0.5	max.	±0.5	±0.5	±0.2	approx.

Note: Unused pins are omitted for standard parts. Unused pins can be provided upon request.

Potting Shell – Type B



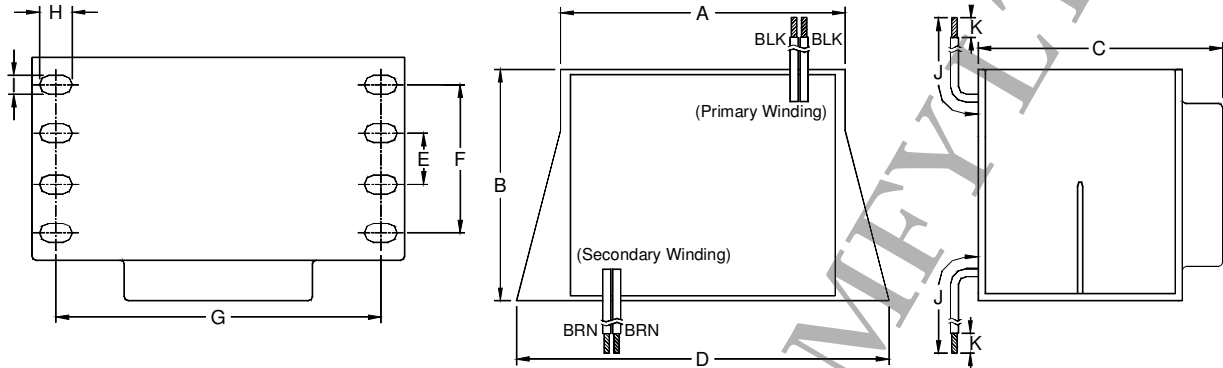
	A	B	C	D	E	F	G	H	I	J	K	Weight (g)
Dimension (mm)	69.5	59.0	61.5	4.0	φ0.8	5.0	35.0	55.0	44.0	10.4	φ2.4	1030
Tolerance (mm)	±1.0	±1.0	±1.0	±1.0	±0.1	±0.2	±0.5	±1.0	±1.0	min.	±0.2	approx.

Note: Unused pins are omitted for standard parts. Unused pins can be provided upon request.

THAI LIN RADIO since 1975

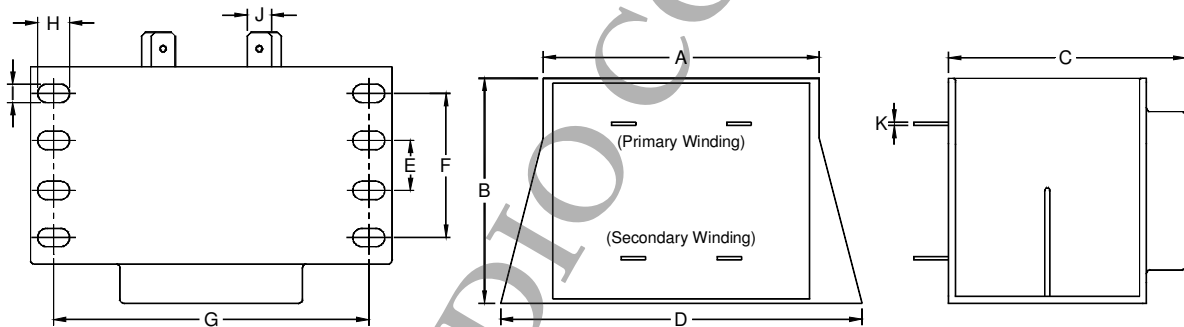
STANDARD
ENCAPSULATED
TRANSFORMER
TYPE EI66 / 35

Style – Flying Lead



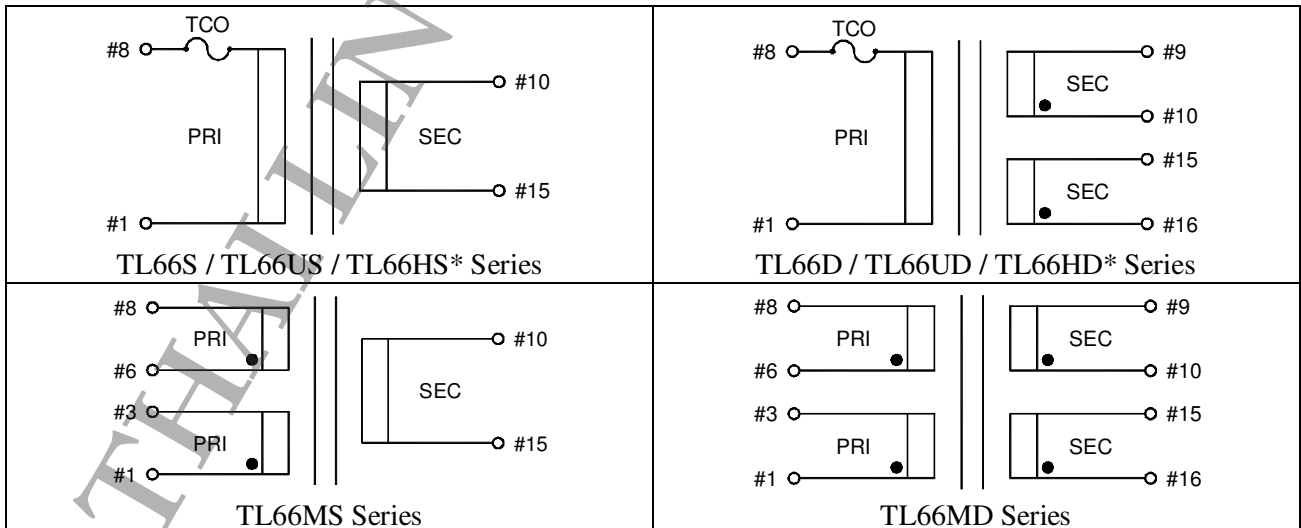
	A	B	C	D	E	F	G	H	I	J	K	Weight (g)
Dimension (mm)	71.8	58.5	61.5	94.0	13.0	37.5	82.0	8.3	5.0	250	5.0	1030
Tolerance (mm)	±1.0	±1.0	±1.0	±1.0	±1.0	±1.0	±1.0	±0.5	±0.2	±10	±1.0	approx.

Style – Faston Tab



	A	B	C	D	E	F	G	H	I	J	K	Weight (g)
Dimension (mm)	71.8	58.5	61.5	94.0	13.0	37.5	82.0	8.3	5.0	6.3	0.8	1030
Tolerance (mm)	±1.0	±1.0	±1.0	±1.0	±1.0	±1.0	±1.0	±0.5	±0.2	±0.2	±0.1	approx.

Schematics



* The TCO for the TL66HS & TL66HD series is omitted.



THAI LIN RADIO since 1975

STANDARD
ENCAPSULATED
TRANSFORMER
TYPE EI66 / 35

Pins Connection (for dual windings items)	Primary	In Series	Pin 1 – Pin 8 (Pins 3, 6 short)
		In Parallel	Pin 1 – Pin 8 (Pins 1, 6 short; Pins 3, 8 short)
	Secondary	In Series	Pin 10 – Pin 15 (Pins 9, 16 short)
		In Parallel	Pin 10 – Pin 15 (Pins 10, 16 short; Pins 9, 15 short)

Part Number Designation

Four designations are available. Use TL66S-060-7500 as example:

- 1) TL66S-060-7500 = Potting Shell A
- 2) TL66S-060-7500 (SB) = Potting Shell B (with fixing rails)
- 3) TL66S-060-7500FL = Flying Lead Style
- 4) TL66S-060-7500FT = Faston Tab Style

Note:

- a) Flying lead style is only available for the single primary + single secondary items.
- b) Faston tab style is only available for the single primary + single secondary items.
- c) In case of need, please add the appropriate suffixes in the part number when ordering.

Product Series	Primary (V)	Single Secondary			Dual Secondary			ta (°C)	Agency Approval
		Part Number	Secondary Rating		Part Number	Secondary Rating			
			(V)	(mA)		(V)	(mA)		
45VA	230	TL66S-060-7500	6	7500	TL66D-060-3750	2 x 6	3750	70	TUV CE
		TL66S-072-6250	7.2	6250	TL66D-072-3125	2 x 7.2	3125		
		TL66S-090-5000	9	5000	TL66D-090-2500	2 x 9	2500		
		TL66S-100-4500	10	4500	TL66D-100-2250	2 x 10	2250		
		TL66S-120-3750	12	3750	TL66D-120-1875	2 x 12	1875		
		TL66S-150-3000	15	3000	TL66D-150-1500	2 x 15	1500		
		TL66S-180-2500	18	2500	TL66D-180-1250	2 x 18	1250		
		TL66S-240-1875	24	1875	TL66D-240-0938	2 x 24	938		
	115	TL66US-060-7500	6	7500	TL66UD-060-3750	2 x 6	3750	70	UL5085-1/-2 C-UL
		TL66US-072-6250	7.2	6250	TL66UD-072-3125	2 x 7.2	3125		
		TL66US-090-5000	9	5000	TL66UD-090-2500	2 x 9	2500		
		TL66US-100-4500	10	4500	TL66UD-100-2250	2 x 10	2250		
		TL66US-120-3750	12	3750	TL66UD-120-1875	2 x 12	1875		
		TL66US-150-3000	15	3000	TL66UD-150-1500	2 x 15	1500		
		TL66US-180-2500	18	2500	TL66UD-180-1250	2 x 18	1250		
		TL66US-240-1875	24	1875	TL66UD-240-0938	2 x 24	938		
	115 (Parallel) or 230 (Series)	TL66MS-060-7500	6	7500	TL66MD-060-3750	2 x 6	3750	70	UL5085-1/-2 C-UL TUV CE
		TL66MS-072-6250	7.2	6250	TL66MD-072-3125	2 x 7.2	3125		
		TL66MS-090-5000	9	5000	TL66MD-090-2500	2 x 9	2500		
		TL66MS-100-4500	10	4500	TL66MD-100-2250	2 x 10	2250		
		TL66MS-120-3750	12	3750	TL66MD-120-1875	2 x 12	1875		
		TL66MS-150-3000	15	3000	TL66MD-150-1500	2 x 15	1500		
		TL66MS-180-2500	18	2500	TL66MD-180-1250	2 x 18	1250		
		TL66MS-240-1875	24	1875	TL66MD-240-0938	2 x 24	938		

- Note: 1) TL66S & TL66D series are fail-safe transformers.
2) TL66MS, TL66MD, TL66HS & TL66HD series are non-short-circuit proof transformers.



THAI LIN RADIO

since 1975

STANDARD
ENCAPSULATED
TRANSFORMER
TYPE EI66 / 35

Product Series	Primary (V)	Single Secondary			Dual Secondary			ta (°C)	Agency Approval
		Part Number	Secondary Rating		Part Number	Secondary Rating			
			(V)	(mA)		(V)	(mA)		
45VA	400	TL66HS-060-7500	6	7500	TL66HD-060-3750	2 x 6	3750	70	--
		TL66HS-072-6250	7.2	6250	TL66HD-072-3125	2 x 7.2	3125		
		TL66HS-090-5000	9	5000	TL66HD-090-2500	2 x 9	2500		
		TL66HS-100-4500	10	4500	TL66HD-100-2250	2 x 10	2250		
		TL66HS-120-3750	12	3750	TL66HD-120-1875	2 x 12	1875		
		TL66HS-150-3000	15	3000	TL66HD-150-1500	2 x 15	1500		
		TL66HS-180-2500	18	2500	TL66HD-180-1250	2 x 18	1250		
		TL66HS-240-1875	24	1875	TL66HD-240-0938	2 x 24	938		
48VA	230	TL66S-060-8000	6	8000	TL66D-060-4000	2 x 6	4000	70	TUV CE
		TL66S-072-6666	7.2	6666	TL66D-072-3333	2 x 7.2	3333		
		TL66S-090-5333	9	5333	TL66D-090-2667	2 x 9	2667		
		TL66S-100-4800	10	4800	TL66D-100-2400	2 x 10	2400		
		TL66S-120-4000	12	4000	TL66D-120-2000	2 x 12	2000		
		TL66S-150-3200	15	3200	TL66D-150-1600	2 x 15	1600		
		TL66S-180-2666	18	2666	TL66D-180-1333	2 x 18	1333		
		TL66S-240-2000	24	2000	TL66D-240-1000	2 x 24	1000		
	115	TL66US-060-8000	6	8000	TL66UD-060-4000	2 x 6	4000	70	UL5085-1/-2 C-UL
		TL66US-072-6666	7.2	6666	TL66UD-072-3333	2 x 7.2	3333		
		TL66US-090-5333	9	5333	TL66UD-090-2667	2 x 9	2667		
		TL66US-100-4800	10	4800	TL66UD-100-2400	2 x 10	2400		
		TL66US-120-4000	12	4000	TL66UD-120-2000	2 x 12	2000		
		TL66US-150-3200	15	3200	TL66UD-150-1600	2 x 15	1600		
		TL66US-180-2666	18	2666	TL66UD-180-1333	2 x 18	1333		
		TL66US-240-2000	24	2000	TL66UD-240-1000	2 x 24	1000		
	115 (Parallel) or 230 (Series)	TL66MS-060-8000	6	8000	TL66MD-060-4000	2 x 6	4000	70	UL5085-1/-2 C-UL TUV CE
		TL66MS-072-6666	7.2	6666	TL66MD-072-3333	2 x 7.2	3333		
		TL66MS-090-5333	9	5333	TL66MD-090-2667	2 x 9	2667		
		TL66MS-100-4800	10	4800	TL66MD-100-2400	2 x 10	2400		
TL66MS-120-4000		12	4000	TL66MD-120-2000	2 x 12	2000			
TL66MS-150-3200		15	3200	TL66MD-150-1600	2 x 15	1600			
TL66MS-180-2666		18	2666	TL66MD-180-1333	2 x 18	1333			
TL66MS-240-2000		24	2000	TL66MD-240-1000	2 x 24	1000			
400	TL66HS-060-8000	6	8000	TL66HD-060-4000	2 x 6	4000	70	--	
	TL66HS-072-6666	7.2	6666	TL66HD-072-3333	2 x 7.2	3333			
	TL66HS-090-5333	9	5333	TL66HD-090-2667	2 x 9	2667			
	TL66HS-100-4800	10	4800	TL66HD-100-2400	2 x 10	2400			
	TL66HS-120-4000	12	4000	TL66HD-120-2000	2 x 12	2000			
	TL66HS-150-3200	15	3200	TL66HD-150-1600	2 x 15	1600			
	TL66HS-180-2666	18	2666	TL66HD-180-1333	2 x 18	1333			
	TL66HS-240-2000	24	2000	TL66HD-240-1000	2 x 24	1000			
50VA	230	TL66S-060-8333	6	8333	TL66D-060-4167	2 x 6	4167	70	TUV CE
		TL66S-072-6944	7.2	6944	TL66D-072-3472	2 x 7.2	3472		
		TL66S-090-5556	9	5556	TL66D-090-2778	2 x 9	2778		
		TL66S-100-5000	10	5000	TL66D-100-2500	2 x 10	2500		
		TL66S-120-4166	12	4166	TL66D-120-2083	2 x 12	2083		
		TL66S-150-3333	15	3333	TL66D-150-1667	2 x 15	1667		
		TL66S-180-2778	18	2778	TL66D-180-1389	2 x 18	1389		
		TL66S-240-2083	24	2083	TL66D-240-1042	2 x 24	1042		
	115	TL66US-060-8333	6	8333	TL66UD-060-4167	2 x 6	4167	70	UL5085-1/-2 C-UL
		TL66US-072-6944	7.2	6944	TL66UD-072-3472	2 x 7.2	3472		
		TL66US-090-5556	9	5556	TL66UD-090-2778	2 x 9	2778		
		TL66US-100-5000	10	5000	TL66UD-100-2500	2 x 10	2500		
		TL66US-120-4166	12	4166	TL66UD-120-2083	2 x 12	2083		
		TL66US-150-3333	15	3333	TL66UD-150-1667	2 x 15	1667		
		TL66US-180-2778	18	2778	TL66UD-180-1389	2 x 18	1389		
		TL66US-240-2083	24	2083	TL66UD-240-1042	2 x 24	1042		

Note: 1) TL66S & TL66D series are fail-safe transformers.
2) TL66MS, TL66MD, TL66HS & TL66HD series are non-short-circuit proof transformers.



THAI LIN RADIO

since 1975

STANDARD
ENCAPSULATED
TRANSFORMER
TYPE EI66 / 35

Product Series	Primary (V)	Single Secondary			Dual Secondary			ta (°C)	Agency Approval
		Part Number	Secondary Rating		Part Number	Secondary Rating			
			(V)	(mA)		(V)	(mA)		
50VA	115 (Parallel) or 230 (Series)	* TL66MS-060-8333 TL66MS-072-6944 TL66MS-090-5556 TL66MS-100-5000 TL66MS-120-4166 TL66MS-150-3333 TL66MS-180-2778 TL66MS-240-2083	6 7.2 9 10 12 15 18 24	8333 6944 5556 5000 4166 3333 2778 2083	TL66MD-060-4167 TL66MD-072-3472 TL66MD-090-2778 TL66MD-100-2500 TL66MD-120-2083 TL66MD-150-1667 TL66MD-180-1389 TL66MD-240-1042	2 x 6 2 x 7.2 2 x 9 2 x 10 2 x 12 2 x 15 2 x 18 2 x 24	4167 3472 2778 2500 2083 1667 1389 1042	70	UL5085-1/-2 C-UL TUV CE
	400	TL66HS-060-8333 TL66HS-072-6944 TL66HS-090-5556 TL66HS-100-5000 TL66HS-120-4166 TL66HS-150-3333 TL66HS-180-2778 TL66HS-240-2083	6 7.2 9 10 12 15 18 24	8333 6944 5556 5000 4166 3333 2778 2083	TL66HD-060-4167 TL66HD-072-3472 TL66HD-090-2778 TL66HD-100-2500 TL66HD-120-2083 TL66HD-150-1667 TL66HD-180-1389 TL66HD-240-1042	2 x 6 2 x 7.2 2 x 9 2 x 10 2 x 12 2 x 15 2 x 18 2 x 24	4167 3472 2778 2500 2083 1667 1389 1042	70	--
52VA	230	TL66S-060-8666 TL66S-072-7222 TL66S-090-5778 TL66S-100-5200 TL66S-120-4333 TL66S-150-3466 TL66S-180-2888 TL66S-240-2166	6 7.2 9 10 12 15 18 24	8666 7222 5778 5200 4333 3466 2888 2166	TL66D-060-4333 TL66D-072-3611 TL66D-090-2889 TL66D-100-2600 TL66D-120-2167 TL66D-150-1733 TL66D-180-1444 TL66D-240-1083	2 x 6 2 x 7.2 2 x 9 2 x 10 2 x 12 2 x 15 2 x 18 2 x 24	4333 3611 2889 2600 2167 1733 1444 1083	40	TUV CE
	115	TL66US-060-8666 TL66US-072-7222 TL66US-090-5778 TL66US-100-5200 TL66US-120-4333 TL66US-150-3466 TL66US-180-2888 TL66US-240-2166	6 7.2 9 10 12 15 18 24	8666 7222 5778 5200 4333 3466 2888 2166	TL66UD-060-4333 TL66UD-072-3611 TL66UD-090-2889 TL66UD-100-2600 TL66UD-120-2167 TL66UD-150-1733 TL66UD-180-1444 TL66UD-240-1083	2 x 6 2 x 7.2 2 x 9 2 x 10 2 x 12 2 x 15 2 x 18 2 x 24	4333 3611 2889 2600 2167 1733 1444 1083	40	UL5085-1/-2 C-UL
	115 (Parallel) or 230 (Series)	TL66MS-060-8666 TL66MS-072-7222 TL66MS-090-5778 TL66MS-100-5200 TL66MS-120-4333 TL66MS-150-3466 TL66MS-180-2888 TL66MS-240-2166	6 7.2 9 10 12 15 18 24	8666 7222 5778 5200 4333 3466 2888 2166	TL66MD-060-4333 TL66MD-072-3611 TL66MD-090-2889 TL66MD-100-2600 TL66MD-120-2167 TL66MD-150-1733 TL66MD-180-1444 TL66MD-240-1083	2 x 6 2 x 7.2 2 x 9 2 x 10 2 x 12 2 x 15 2 x 18 2 x 24	4333 3611 2889 2600 2167 1733 1444 1083	40	UL5085-1/-2 C-UL TUV CE
	400	TL66HS-060-8666 TL66HS-072-7222 TL66HS-090-5778 TL66HS-100-5200 TL66HS-120-4333 TL66HS-150-3466 TL66HS-180-2888 TL66HS-240-2166	6 7.2 9 10 12 15 18 24	8666 7222 5778 5200 4333 3466 2888 2166	TL66HD-060-4333 TL66HD-072-3611 TL66HD-090-2889 TL66HD-100-2600 TL66HD-120-2167 TL66HD-150-1733 TL66HD-180-1444 TL66HD-240-1083	2 x 6 2 x 7.2 2 x 9 2 x 10 2 x 12 2 x 15 2 x 18 2 x 24	4333 3611 2889 2600 2167 1733 1444 1083	40	--

Note: 1) TL66S & TL66D series are fail-safe transformers.
2) TL66MS, TL66MD, TL66HS & TL66HD series are non-short-circuit proof transformers.
* The ambient temperature for TL66MS-060-8333 is 65°C.



THAI LIN RADIO

since 1975

STANDARD
ENCAPSULATED
TRANSFORMER
TYPE EI66 / 35

Product Series	Primary (V)	Single Secondary			Dual Secondary			ta (°C)	Agency Approval
		Part Number	Secondary Rating		Part Number	Secondary Rating			
			(V)	(mA)		(V)	(mA)		
55VA	230	TL66S-060-9166	6	9166	TL66D-060-4583	2 x 6	4583	40	TUV CE
		TL66S-072-7638	7.2	7638	TL66D-072-3819	2 x 7.2	3819		
		TL66S-090-6111	9	6111	TL66D-090-3056	2 x 9	3056		
		TL66S-100-5500	10	5500	TL66D-100-2750	2 x 10	2750		
		TL66S-120-4583	12	4583	TL66D-120-2292	2 x 12	2292		
		TL66S-150-3666	15	3666	TL66D-150-1833	2 x 15	1833		
		TL66S-180-3056	18	3056	TL66D-180-1528	2 x 18	1528		
		TL66S-240-2292	24	2292	TL66D-240-1146	2 x 24	1146		
	115	TL66US-060-9166	6	9166	TL66UD-060-4583	2 x 6	4583	40	UL5085-1/-2 C-UL
		TL66US-072-7638	7.2	7638	TL66UD-072-3819	2 x 7.2	3819		
		TL66US-090-6111	9	6111	TL66UD-090-3056	2 x 9	3056		
		TL66US-100-5500	10	5500	TL66UD-100-2750	2 x 10	2750		
		TL66US-120-4583	12	4583	TL66UD-120-2292	2 x 12	2292		
		TL66US-150-3666	15	3666	TL66UD-150-1833	2 x 15	1833		
		TL66US-180-3056	18	3056	TL66UD-180-1528	2 x 18	1528		
		TL66US-240-2292	24	2292	TL66UD-240-1146	2 x 24	1146		
115 (Parallel) or 230 (Series)	TL66MS-060-9166	6	9166	TL66MD-060-4583	2 x 6	4583	40	UL5085-1/-2 C-UL TUV CE	
	TL66MS-072-7638	7.2	7638	TL66MD-072-3819	2 x 7.2	3819			
	TL66MS-090-6111	9	6111	TL66MD-090-3056	2 x 9	3056			
	TL66MS-100-5500	10	5500	TL66MD-100-2750	2 x 10	2750			
	TL66MS-120-4583	12	4583	TL66MD-120-2292	2 x 12	2292			
	TL66MS-150-3666	15	3666	TL66MD-150-1833	2 x 15	1833			
	TL66MS-180-3056	18	3056	TL66MD-180-1528	2 x 18	1528			
	TL66MS-240-2292	24	2292	TL66MD-240-1146	2 x 24	1146			
400	TL66HS-060-9166	6	9166	TL66HD-060-4583	2 x 6	4583	40	--	
	TL66HS-072-7638	7.2	7638	TL66HD-072-3819	2 x 7.2	3819			
	TL66HS-090-6111	9	6111	TL66HD-090-3056	2 x 9	3056			
	TL66HS-100-5500	10	5500	TL66HD-100-2750	2 x 10	2750			
	TL66HS-120-4583	12	4583	TL66HD-120-2292	2 x 12	2292			
	TL66HS-150-3666	15	3666	TL66HD-150-1833	2 x 15	1833			
	TL66HS-180-3056	18	3056	TL66HD-180-1528	2 x 18	1528			
	TL66HS-240-2292	24	2292	TL66HD-240-1146	2 x 24	1146			

Note: 1) TL66S & TL66D series are fail-safe transformers.
2) TL66MS, TL66MD, TL66HS & TL66HD series are non-short-circuit proof transformers.