



Трансформаторы для преобразователей DC-DC (EE) DC-DC CONVERTER TRANSFORMERS

FEATURES


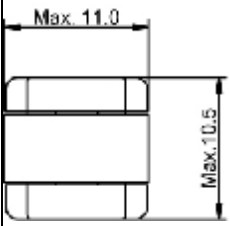
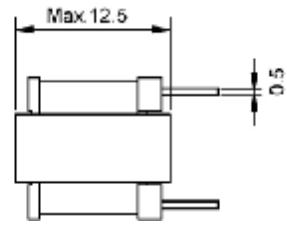
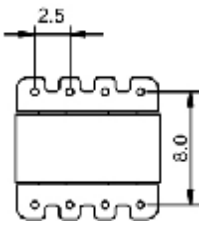

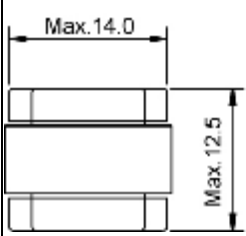
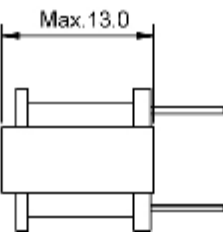
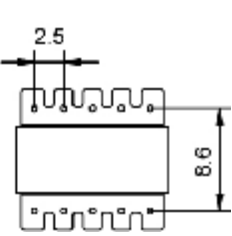

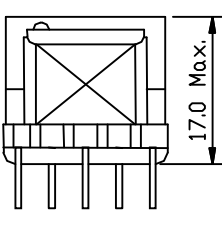
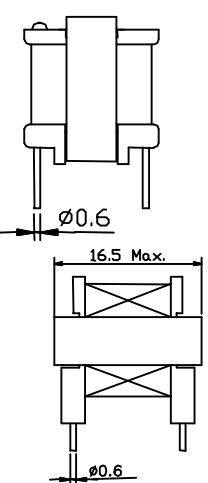
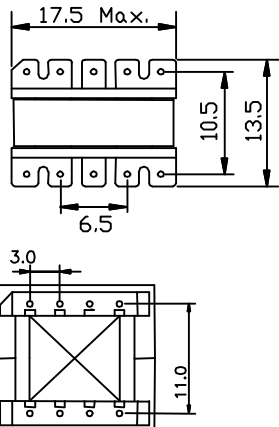
- I Application for DC/DC converter transformer, EL inverter transformer, driving transformer, switching regulators, etc..
- I A wide range of shapes and dimensions to meet with a variety range of output power requirements.
- I Bobbins also confirm to major electrical safety standard with harmonics current regulation.
- I Small leakage flux by adopting dispersed gap.

APPLICATIONS

- I Pulse transformers, Drive transformers
- I Filters for communication equipment
- I Power converter, Computer





SPECIFICATION

1. Max. operating frequency
2. Max. power
3. Application

		Dimension (mm)		
EE10 	<ol style="list-style-type: none"> 1. Max. 300KHz 2. 3.2W 3. DC/DC converter, EL inverter, cameras 			
EE13 	<ol style="list-style-type: none"> 1. Max. 300KHz 2. 4.6W 3. DC/DC converter, AC/DC adaptor 			
EE16/EI16/EE16H 	<ol style="list-style-type: none"> 1. Max. 300KHz 2. 6W 3. Switching regulator, EL transformer, 			



DC-DC CONVERTER TRANSFORMERS

		Dimension (mm)		
<p>EE19/EI19/EE19H</p> 	<ol style="list-style-type: none"> 1. Max. 300KHz 2. 8W 3. Switching regulator, EL inverter, DC/DC converter, AC/DC adapter, Line filter(EE19H) 			
<p>EE22/EI22</p> 	<ol style="list-style-type: none"> 1. Max. 200KHz 2. 10W 3. DC/DC converter, AC/DC adapter 			
<p>EE25/EI25/EE25H</p> 	<ol style="list-style-type: none"> 1. Max. 200KHz 2. 16.8W 3. DC/DC converter, AC/DC adapter, Line filter(EE25H) 			
<p>EE28/EI28</p> 	<ol style="list-style-type: none"> 1. Max. 200kHz 2. 22.0W 3. Main transformer 			

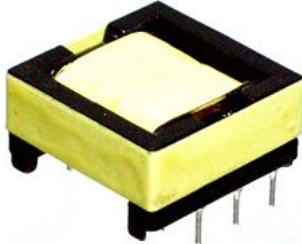
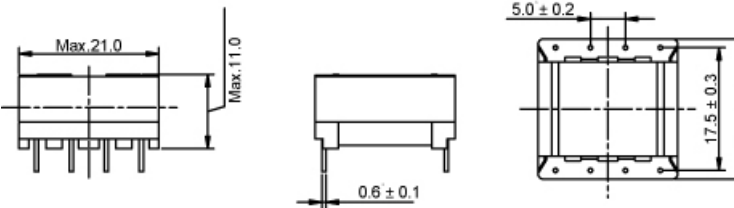
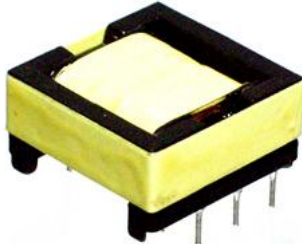
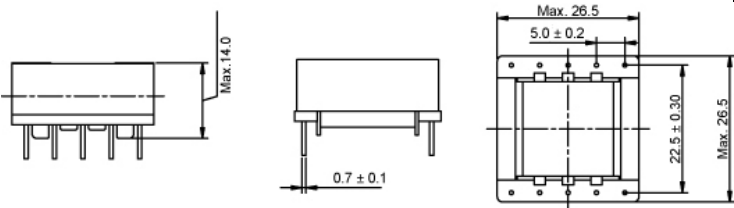
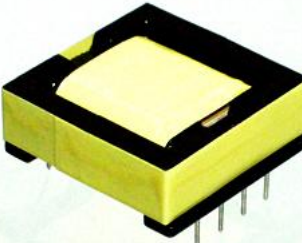

※ Specifications other than the above will be furnished upon request.



DC-DC CONVERTER TRANSFORMERS

SPECIFICATION

1. Max. operating frequency
2. Max. power

		Dimension (mm)
<p>EFD20</p> 	<ol style="list-style-type: none"> 1. Max. 200KHz 2. 11.8W 	
<p>EFD25</p> 	<ol style="list-style-type: none"> 1. Max. 200KHz 2. 18W 	
<p>EFD30</p> 	<ol style="list-style-type: none"> 1. Max. 200KHz 2. 28.6W 	


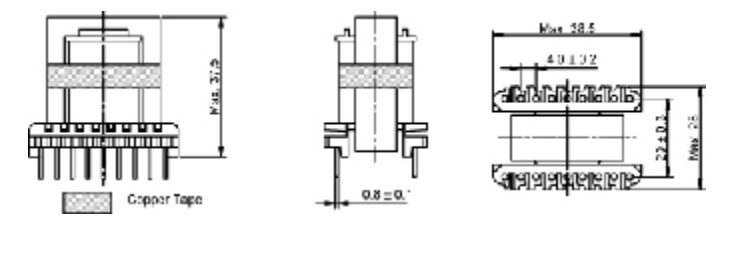

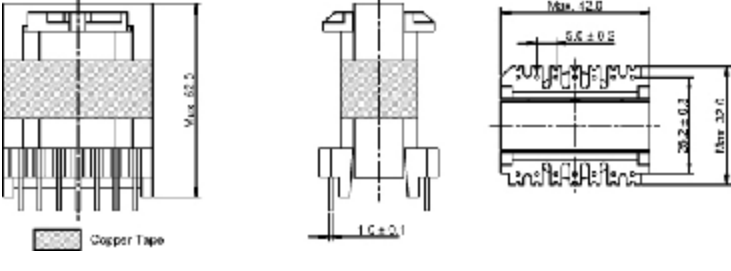

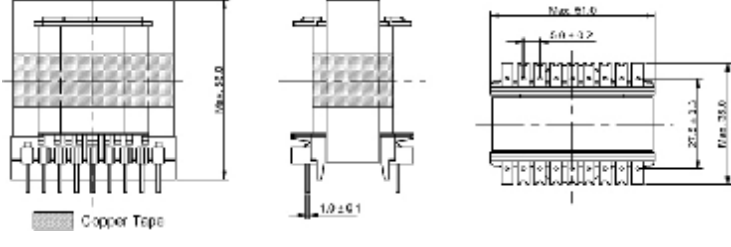
※ Specifications other than the above will be furnished upon request.



DC-DC CONVERTER TRANSFORMERS

SPECIFICATION

3. Max. operating frequency
4. Max. power

		Dimension (mm)
ER28 	<ol style="list-style-type: none"> 1. Max. 200KHz 2. 32W 	
ER39 	<ol style="list-style-type: none"> 1. Max. 200KHz 2. 45W 	
ER49 	<ol style="list-style-type: none"> 1. Max. 200KHz 2. 60W 	

※ Specifications other than the above will be furnished upon request.