



# THAI LIN RADIO

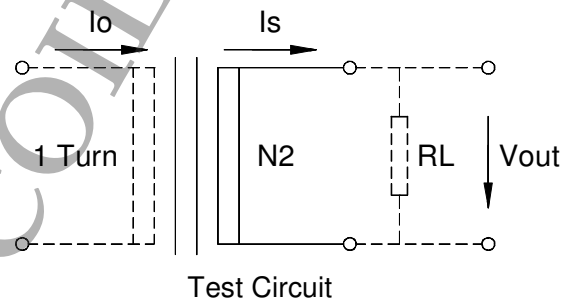
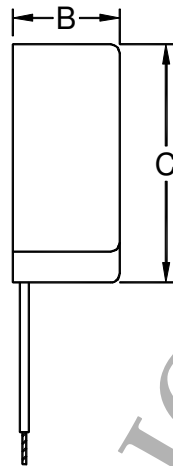
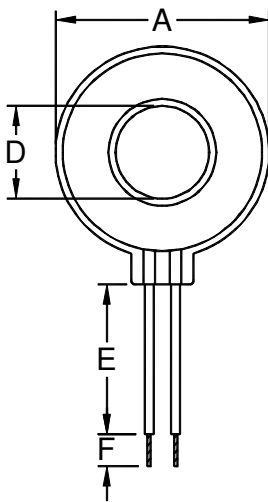
since 1975

Трансформатор тока с  
проводниковыми выводами  
WIRE LEAD CURRENT  
TRANSFORMER



## TL78 Series

- Compact size
- Light weight
- High sensitivity
- Non-contact, isolated measurement
- Five different case sizes
- Frequency range: 50 ~ 400Hz
- Ideal for electric shock prevention earth leakage breakers and short circuit relays



Part Number	Dimension (mm)						Weight (g)
	A	B	C	D	E	F	
TL78-1-001	19.0	8.3	21.7	6.0	100.0	5.0	6
TL78-2-001	22.5	9.3	25.5	7.3	110.0	5.0	8
TL78-3-001	24.5	12.5	27.5	10.0	120.0	5.0	10
TL78-4-001	30.3	11.5	33.5	15.0	135.0	5.0	13
TL78-5-001	48.3	19.5	51.0	18.7	150.0	5.0	56
<b>Tolerance</b>	max.	max.	max.	min.	± 10.0	± 2.0	approx.

Part Number	Rated Current (Arms)	Output Voltage (mV) min.	Measurement Conditions
TL78-1-001	30	8	$I_o = 11.25 \text{ mA}$ , $R_L = 1.0 \text{ k}\Omega$
TL78-2-001	30	8	$I_o = 11.25 \text{ mA}$ , $R_L = 1.0 \text{ k}\Omega$
TL78-3-001	60	8	$I_o = 22.50 \text{ mA}$ , $R_L = 1.0 \text{ k}\Omega$
TL78-4-001	125	8	$I_o = 22.50 \text{ mA}$ , $R_L = 1.0 \text{ k}\Omega$
TL78-5-001	200	8	$I_o = 22.50 \text{ mA}$ , $R_L = 0.3 \text{ k}\Omega$