



THAI LIN RADIO

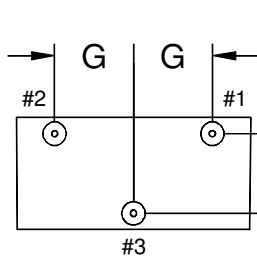
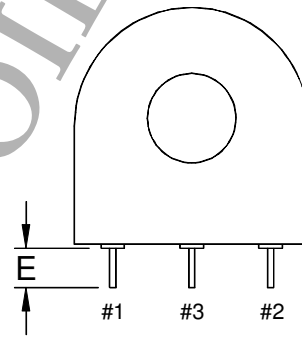
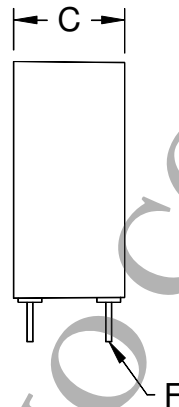
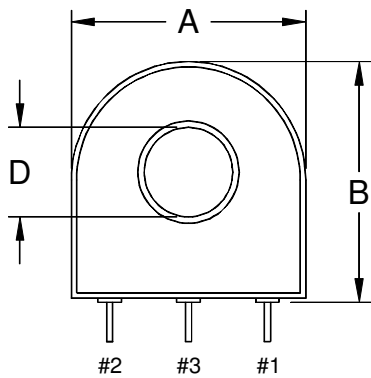
since 1975

Трансформатор тока
измерительный для вертикального
монтажа
VERTICAL MOUNTING
CURRENT TRANSFORMER

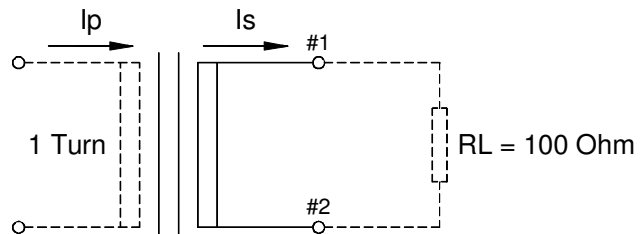


TL76 Series

- Six different case sizes
- Epoxy encapsulated
- Frequency: 50/60Hz
- Insulation resistance: 100M Ohm @ 500Vdc
- Dielectric strength: 4000Vrms
- Ideal for metering, overload current sensing and ground fault detection



Bottom View



Test Circuit

Product Series	Dimension (mm)									Weight (g)
	A	B	C	D	E	F	G	H	I	
TL76-1	24.8	25.3	12.2	Ø9.0	5.0	Ø0.8	7.62	7.62	1.75	15
TL76-2	31.2	31.7	15.3	Ø11.0	5.0	Ø1.0	10.16	10.16	2.08	30
TL76-3	35.9	36.4	15.3	Ø14.0	5.0	Ø1.0	12.70	10.16	2.08	45
TL76-4	39.1	39.6	16.9	Ø14.0	5.0	Ø1.0	16.50	10.16	2.85	60
TL76-5	45.5	46.0	15.3	Ø18.5	5.0	Ø1.0	17.78	10.16	2.07	70
TL76-6	56.6	57.1	21.6	Ø23.3	5.0	Ø1.0	22.86	12.70	3.95	165
Tolerance	max.	max.	max.	min.	± 1.0	± 0.1	± 0.3	± 0.3	± 0.2	approx.

Note: Pin #3 is just for mechanical support.



THAI LIN RADIO since 1975

VERTICAL MOUNTING
CURRENT
TRANSFORMER

Product Series	Part Number	Input Current (A, nominal)	Input Current (A, max.)	Current Ratio
TL76-1	TL76-1-005	5	45	5A / 5mA
	TL76-1-010	10		10A / 10mA
	TL76-1-015	15		15A / 15mA
	TL76-1-020	20		20A / 20mA
TL76-2	TL76-2-025	25	75	25A / 25mA
	TL76-2-030	30		30A / 30mA
TL76-3	TL76-3-040	40	125	40A / 40mA
	TL76-3-050	50		50A / 50mA
TL76-4	TL76-4-060	60	200	60A / 60mA
	TL76-4-075	75		75A / 75mA
TL76-5	TL76-5-100	100	250	100A / 100mA
TL76-6	TL76-6-150	150	500	150A / 150mA
	TL76-6-200	200		200A / 200mA