

THAI LIN RADIO

since 1975

Трансформатор
силовой POWER
TRANSFORMER



TL95 Series

- Power – 2.4VA to 100VA
- Dielectric strength – 2500Vrms (P – S)
- Primary – Dual primary (115V/230V 50/60Hz)
- Secondary – Center-tapped
- Insulation class – Class F (155°C)
- Terminals – Solder Lug / Quick-Connect Terminal or Leadout Cable Type
- Agency approvals – UL506, CSA C22.2 #66

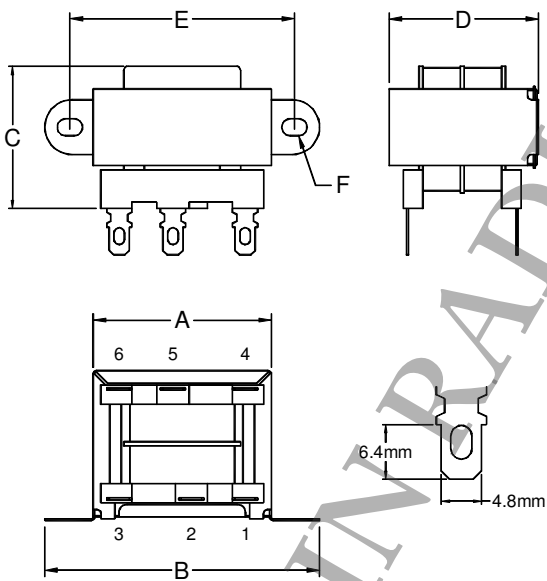


Fig. 1A

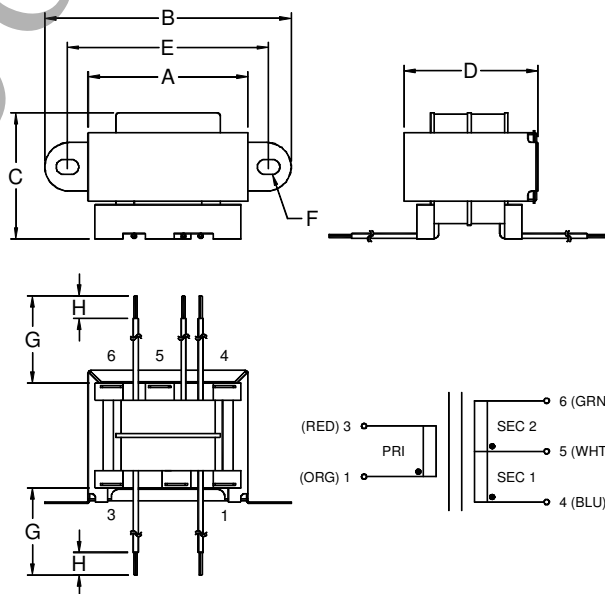


Fig. 1B

Product Series	Dimension (mm)								Fig.	Weight (g)
	A	B	C	D	E	F	G	H		
2.4 VA	37.5	57.5	32.0	33.5	46.5	Ø4 × 7	150.0	8.0	1A, 1B	115
Tolerance	max.	max.	max.	max.	± 2.0	± 1.0	± 10.0	± 2.0	--	approx.



THAI LIN RADIO since 1975

POWER TRANSFORMER

Product Series	Part Number		Output Voltage (rms)	Output Current (rms)	Part Number		Output Voltage (rms)	Output Current (rms)
	Single 115V	Dual 115 / 230V			Single 115V	Dual 115 / 230V		
2.4 VA	TL95S-002-010X	NOT AVAILABLE	10V C.T. @ 0.25A		TL95S-002-028X	NOT AVAILABLE	28V C.T. @ 0.085A	
	TL95S-002-012X		12.6V C.T. @ 0.20A		TL95S-002-036X		36V C.T. @ 0.065A	
	TL95S-002-016X		16V C.T. @ 0.15A		TL95S-002-048X		48V C.T. @ 0.05A	
	TL95S-002-020X		20V C.T. @ 0.12A		TL95S-002-056X		56V C.T. @ 0.045A	
	TL95S-002-024X		24V C.T. @ 0.10A		TL95S-002-120X		120V C.T. @ 0.02A	
6 VA	TL95S-006-010X	TL95D-006-010X	10V C.T. @ 0.60A		TL95S-006-028X	TL95D-006-028X	28V C.T. @ 0.20A	
	TL95S-006-012X	TL95D-006-012X	12.6V C.T. @ 0.50A		TL95S-006-036X	TL95D-006-036X	36V C.T. @ 0.17A	
	TL95S-006-016X	TL95D-006-016X	16V C.T. @ 0.40A		TL95S-006-048X	TL95D-006-048X	48V C.T. @ 0.125A	
	TL95S-006-020X	TL95D-006-020X	20V C.T. @ 0.30A		TL95S-006-056X	TL95D-006-056X	56V C.T. @ 0.11A	
	TL95S-006-024X	TL95D-006-024X	24V C.T. @ 0.25A		TL95S-006-120X	TL95D-006-120X	120V C.T. @ 0.05A	
12 VA	TL95S-012-010X	TL95D-012-010X	10V C.T. @ 1.2A		TL95S-012-028X	TL95D-012-028X	28V C.T. @ 0.42A	
	TL95S-012-012X	TL95D-012-012X	12.6V C.T. @ 1.0A		TL95S-012-036X	TL95D-012-036X	36V C.T. @ 0.35A	
	TL95S-012-016X	TL95D-012-016X	16V C.T. @ 0.8A		TL95S-012-048X	TL95D-012-048X	48V C.T. @ 0.25A	
	TL95S-012-020X	TL95D-012-020X	20V C.T. @ 0.6A		TL95S-012-056X	TL95D-012-056X	56V C.T. @ 0.22A	
	TL95S-012-024X	TL95D-012-024X	24V C.T. @ 0.5A		TL95S-012-120X	TL95D-012-120X	120V C.T. @ 0.10A	
30 VA	TL95S-030-010X	TL95D-030-010X	10V C.T. @ 3.0A		TL95S-030-028X	TL95D-030-028X	28V C.T. @ 1.10A	
	TL95S-030-012X	TL95D-030-012X	12.6V C.T. @ 2.5A		TL95S-030-036X	TL95D-030-036X	36V C.T. @ 0.85A	
	TL95S-030-016X	TL95D-030-016X	16V C.T. @ 2.0A		TL95S-030-048X	TL95D-030-048X	48V C.T. @ 0.63A	
	TL95S-030-020X	TL95D-030-020X	20V C.T. @ 1.5A		TL95S-030-056X	TL95D-030-056X	56V C.T. @ 0.54A	
	TL95S-030-024X	TL95D-030-024X	24V C.T. @ 1.25A		TL95S-030-120X	TL95D-030-120X	120V C.T. @ 0.25A	
56 VA	TL95S-056-010X	TL95D-056-010X	10V C.T. @ 5.0A		TL95S-056-028X	TL95D-056-028X	28V C.T. @ 2.0A	
	TL95S-056-012X	TL95D-056-012X	12.6V C.T. @ 3.96A		TL95S-056-036X	TL95D-056-036X	36V C.T. @ 1.5A	
	TL95S-056-016X	TL95D-056-016X	16V C.T. @ 3.5A		TL95S-056-048X	TL95D-056-048X	48V C.T. @ 1.2A	
	TL95S-056-020X	TL95D-056-020X	20V C.T. @ 2.8A		TL95S-056-056X	TL95D-056-056X	56V C.T. @ 1.0A	
	TL95S-056-024X	TL95D-056-024X	24V C.T. @ 2.4A		TL95S-056-120X	TL95D-056-120X	120V C.T. @ 0.50A	
100 VA	TL95S-100-010X	TL95D-100-010X	10V C.T. @ 10.0A		TL95S-100-028X	TL95D-100-028X	28V C.T. @ 3.6A	
	TL95S-100-012X	TL95D-100-012X	12.6V C.T. @ 8.0A		TL95S-100-036X	TL95D-100-036X	36V C.T. @ 2.8A	
	TL95S-100-016X	TL95D-100-016X	16V C.T. @ 6.25A		TL95S-100-048X	TL95D-100-048X	48V C.T. @ 2.0A	
	TL95S-100-020X	TL95D-100-020X	20V C.T. @ 5.0A		TL95S-100-056X	TL95D-100-056X	56V C.T. @ 1.8A	
	TL95S-100-024X	TL95D-100-024X	24V C.T. @ 4.0A		TL95S-100-120X	TL95D-100-120X	120V C.T. @ 0.85A	

Part number suffix X = T represents the secondaries with quick-connect terminals
 = L represents the secondaries terminated with leadout cables