
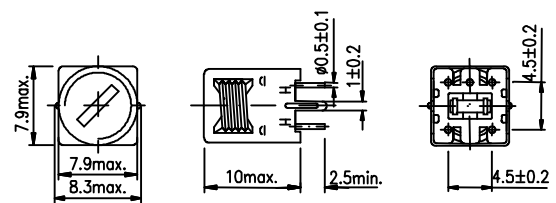

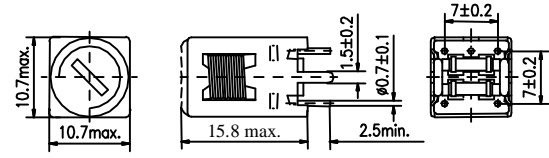
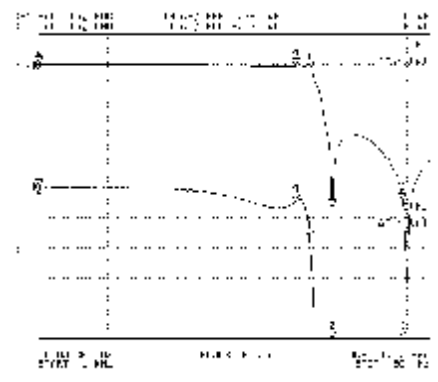




## Фильтр аудио AUDIO LC FILTER

		SPECIFICATIONS
<p><b>LOD8/OOD8 AOD8</b></p> 		<ol style="list-style-type: none"> <li>1. By combining 1~3 coils, based on 7mm square coil, one capacitor is able to be built-in one coil, or external capacitors.</li> <li>2. Usable frequency range is 10~200KHz for easy design of low pass, high pass and band pass filters.</li> <li>3. Using three units together allows the construction of 7<sup>th</sup> order low pass filters.</li> <li>4. Audio frequency filters for FM and MPX, Dolby systems, TV stereo sound, etc.</li> <li>5. Attenuation characteristics (TD8 for ref.)</li> </ol>
<p><b>KD12/KD1C KD2C</b></p> 	 <ol style="list-style-type: none"> <li>1. Two capacitors are able to be built-in one coil, or external capacitors.</li> <li>2. Usable frequency range is 10~200KHz for easy design of low pass filter.</li> </ol>	<p>Attenuation characteristics (15kHz LPF for ref.)</p> 

※ Specifications other than the above will be furnished upon request.