

THAI LIN RADIO

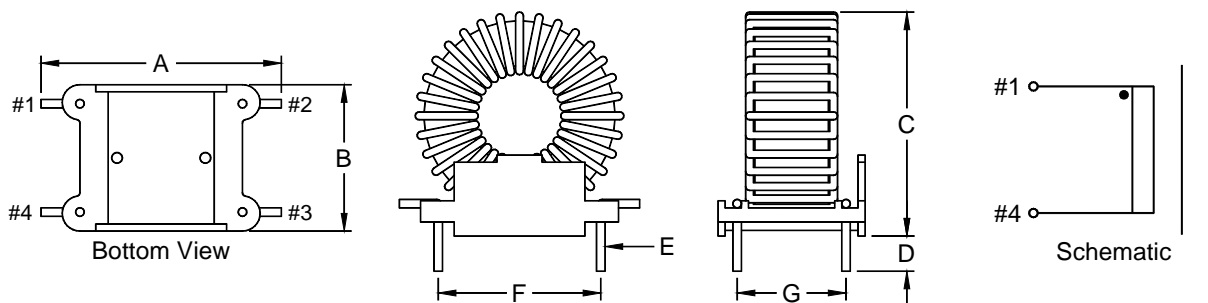
since 1975

Дроссель сетевой на
кольцевом сердечнике
TOROIDAL LINE FILTER



TL69 Series

- AC mains noise filtering
- SMPS output ripple filtering
- Single layer winding for optimum high frequency performance
- Standard inductance : 10 μ H ~ 4.7mH
- 4 standard through-hole packages



Product Series	Dimension (mm)							Weight (g)
	A	B	C	D	E	F	G	
TL69A	31.5	16.0	30.0	3.8	Ø1.25	20.32	10.16	23
TL69B	35.0	21.5	35.0	3.8	Ø1.25	22.86	15.24	40
TL69C	42.5	23.8	45.0	3.8	Ø1.25	30.48	17.78	65
TL69D	58.0	29.0	60.0	3.8	Ø1.25	38.10	22.86	140
Tolerance	max.	max.	max.	min.	±0.15	±0.5	±0.5	approx.

Part Number	Inductance (μ H)	Rated Current (A)	Part Number	Inductance (μ H)	Rated Current (A)
TL69A-010-471	470	1	TL69A-080-470	47	8
TL69A-020-331	330	2	TL69A-080-330	33	8
TL69A-020-221	220	2	TL69A-080-220	22	8
TL69A-040-151	150	4	TL69A-080-100	10	8
TL69A-040-101	100	4	TL69A-110-220	22	11
TL69A-080-680	68	8	TL69A-150-100	10	15
TL69B-010-102	1000	1	TL69B-080-101	100	8
TL69B-010-681	680	1	TL69B-150-470	47	15
TL69B-020-471	470	2	TL69B-150-220	22	15
TL69C-010-152	1500	1	TL69C-150-101	100	15
TL69D-010-472	4700	1	TL69D-080-681	680	8
TL69D-010-332	3300	1	TL69D-080-471	470	8
TL69D-020-222	2200	2	TL69D-150-331	330	15
TL69D-020-152	1500	2	TL69D-150-221	220	15
TL69D-040-102	1000	4	TL69D-150-151	150	15

Телефон в Москве +7 (499) 500 94 02;
Телефон в Минске +375 (29) 707 79 46; -

E-mail: belterratrans@gmail.com
Веб-сайт: <http://belterratrans.com/>