

THAI LIN RADIO

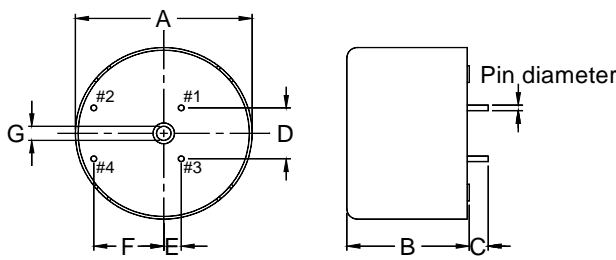
since 1975

Дроссель подавления
радиопомех RFI
SUPPRESSION CHOKE

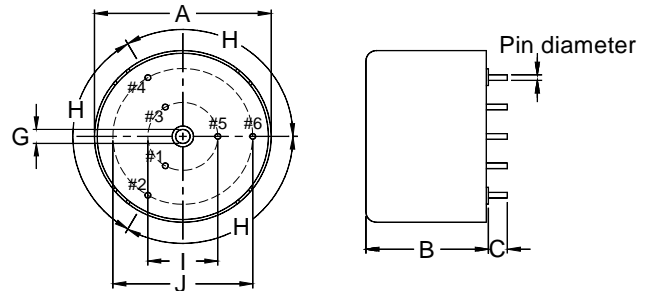


TL425 Series

- Excellent for attenuating common-mode or asymmetric interference signals
- Standard inductance : 0.2 ~ 25mH
- Standard rated current : 6 ~ 36A
- Rated voltage : 600Vac
- Dielectric strength : 2500Vrms (winding – winding)
- Dual, triple and quad-choke configurations
- Custom-made chokes are available upon request

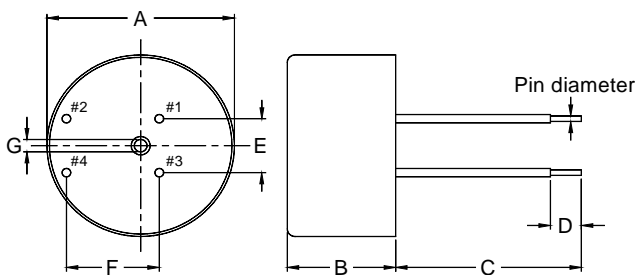


TL425-1, two windings series

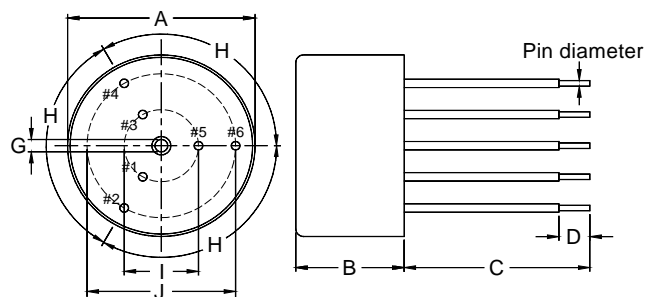


TL425-1, three windings series

	A	B	C	D	E	F	G	H	I	J
Dimension (mm)	∅50.0	35.0	5.0	15.0	5.0	20.0	∅4.1	120°	∅20	∅40
Tolerance	±1.0	±1.0	±1.0	±0.5	±0.5	±0.5	min.	±1	±0.5	±0.5



TL425-2 & TL425-3, two windings series



TL425-2 & TL425-3, three windings series

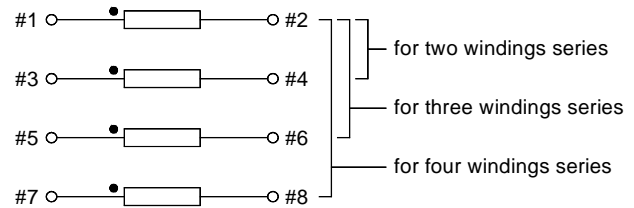
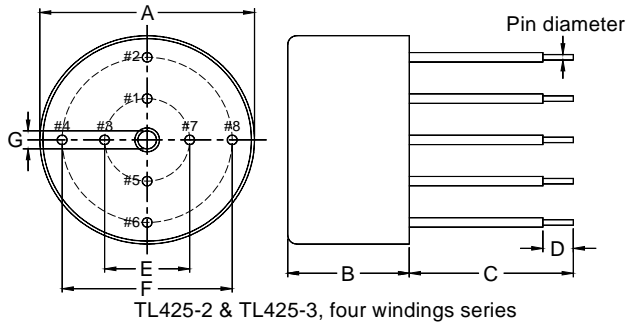
Product Series	Dimension (mm)									
	A	B	C	D	E	F	G	H	I	J
TL425-2	∅60.5	35.0	150	10	18	30	∅4.1	120°	∅24	∅48
TL425-3	∅70.5	40.0	150	10	21	35	∅6.1	120°	∅28	∅56
Tolerance	±1.0	±1.0	±10	+5/-3	typ.	typ.	min.	typ.	typ.	typ.

Телефон в Москве +7 (499) 500 94 02;
Телефон в Минске +375 (29) 707 79 46;

E-mail: belterratrans@gmail.com -
Веб-сайт: <http://belterratrans.com/> -

THAI LIN RADIO

since 1975

 RFI SUPPRESSION
CHOKE


Product Series	Dimension (mm)						
	A	B	C	D	E	F	G
TL425-2	∅60.5	35.0	150	10	∅24	∅48	∅4.1
TL425-3	∅70.5	40.0	150	10	∅28	∅56	∅6.1
Tolerance	±1.0	±1.0	±10	+5/-3	typ.	typ.	min.

Part Number	Inductance (mH, ±30%)	Rated Current (Arms)	DCR (mΩ, nominal)	Number of Windings	Pin diameter (mm)	Approx. Weight (g)
TL425-1-201	9.6	6	50	2	∅1.0	150
TL425-1-202	6	10	22	2	∅1.3	160
TL425-1-203	2	16	8	2	∅1.6	155
TL425-1-301	5	6	35	3	∅1.0	155
TL425-1-302	3	10	16	3	∅1.3	165
TL425-1-303	1	16	6	3	∅1.6	160
TL425-2-201	15	6	72	2	∅1.0	235
TL425-2-202	9	10	26	2	∅1.5	270
TL425-2-203	3	16	11	2	∅1.8	265
TL425-2-301	7.5	6	50	3	∅1.0	240
TL425-2-302	4.5	10	19	3	∅1.5	280
TL425-2-303	1.5	16	8	3	∅1.8	275
TL425-3-201	25	6	85	2	∅1.0	355
TL425-3-202	14	10	35	2	∅1.4	385
TL425-3-203	5.7	16	15	2	∅1.8	395
TL425-3-204	2.8	25	7	2	∅2.3	415
TL425-3-205	1	36	4	2	∅2.5	400
TL425-3-301	12	6	60	3	∅1.0	350
TL425-3-302	6.6	10	22	3	∅1.5	390
TL425-3-303	2.8	16	11	3	∅1.8	400
TL425-3-304	1.3	25	5	3	∅2.3	415
TL425-3-305	0.5	36	3	3	∅2.5	415
TL425-3-401	6	6	45	4	∅1.0	350
TL425-3-402	3.5	10	19	4	∅1.4	390
TL425-3-403	1.5	16	8.5	4	∅1.8	410
TL425-3-404	0.7	25	4	4	∅2.3	440
TL425-3-405	0.2	36	2.3	4	∅2.5	420