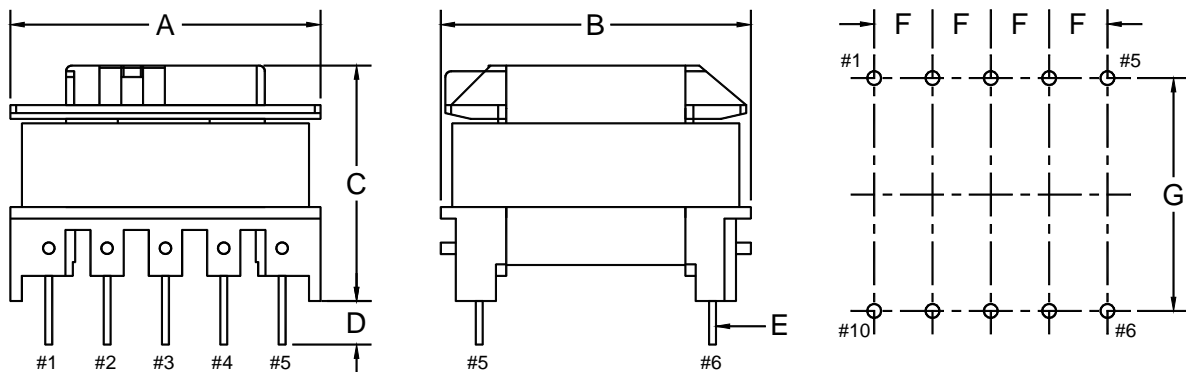


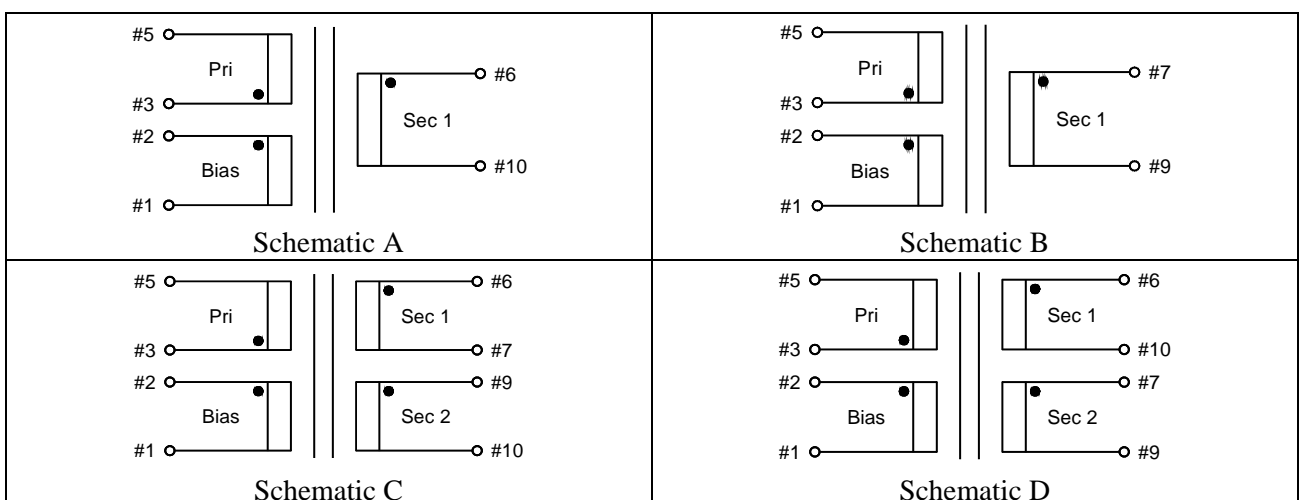
Flyback Transformer

- Core Type: EF25
- Maximum Output Power: 45W
- Primary / Secondary Insulation – 4000Vrms
- Primary / Secondary Creepage – 6mm min.
- Triple insulated wire is used to provide reinforced insulation between windings.
- Insulation Material Class B (130°C)
- Construction conforms to EN 61558, EN 60950, EN 60065 & UL 60950 safety regulations
- Custom-made transformers are available upon request.

Bobbin Type 1 & Available Schematics:



| | A | B | C | D | E | F | G | Weight (g) |
|-----------------------|------|------|------|------|--------|------|-------|------------|
| Dimension (mm) | 28.0 | 28.0 | 22.0 | 3.5 | SQ0.64 | 5.08 | 20.32 | 27.0 |
| Tolerance (mm) | max. | max. | max. | ±1.0 | ±0.1 | ±0.2 | ±0.5 | approx. |



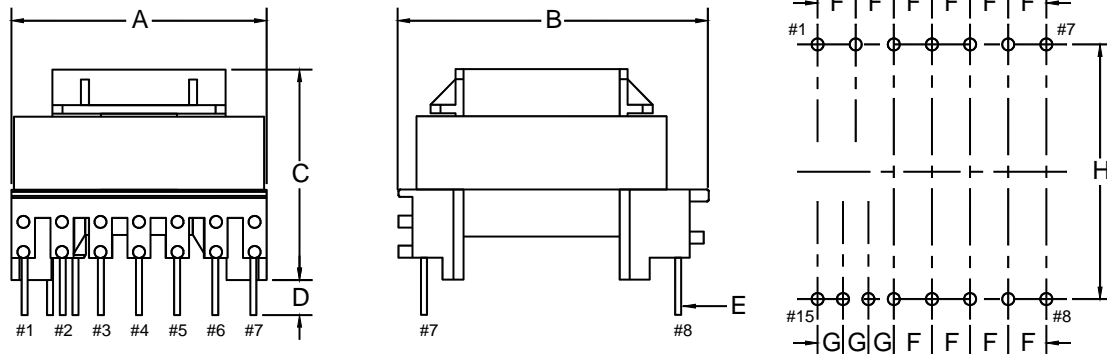


THAI LIN RADIO

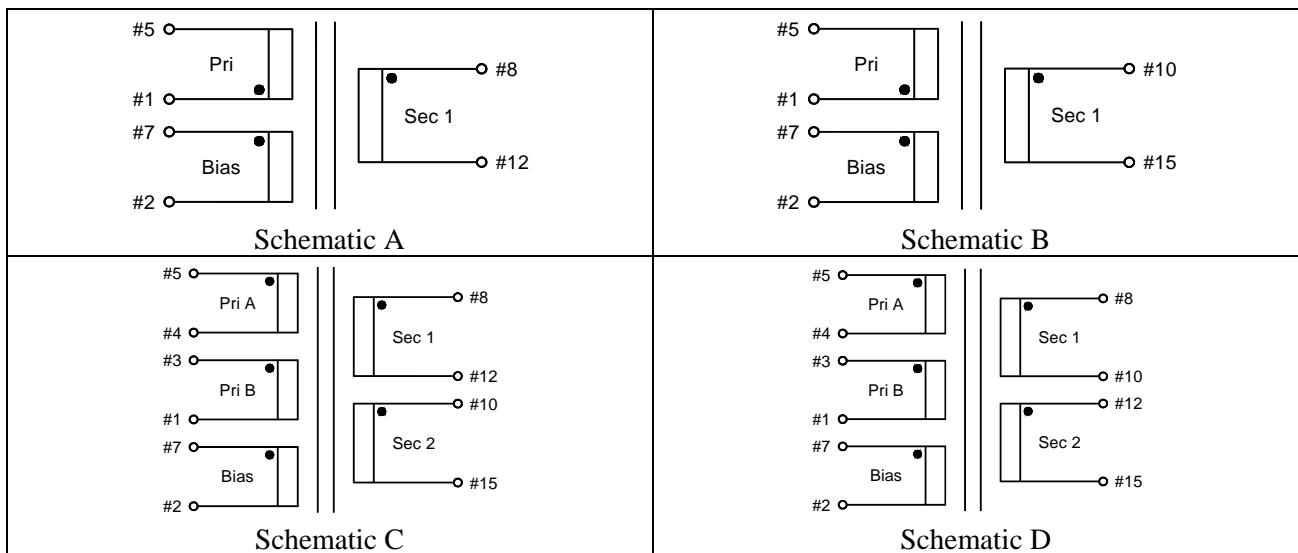
since 1975

FLYBACK
TRANSFORMER
TYPE EF25

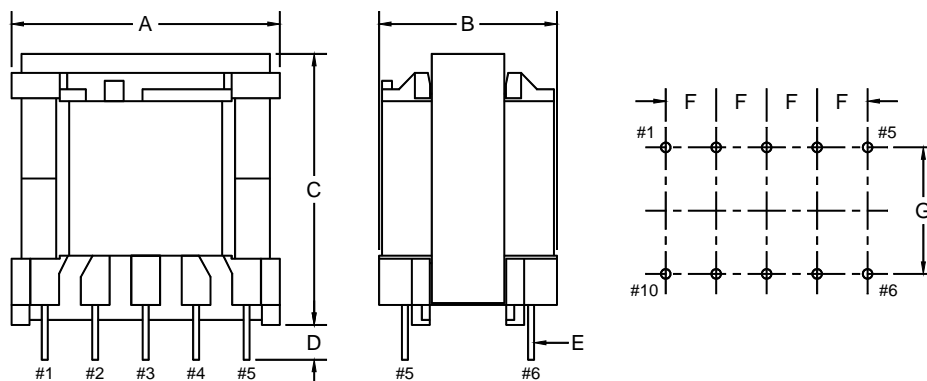
Bobbin Type 2 & Available Schematics



| | A | B | C | D | E | F | G | H | Weight (g) |
|-----------------------|------|------|------|------|--------|------|------|------|------------|
| Dimension (mm) | 26.5 | 32.5 | 22.5 | 3.5 | SQ0.64 | 3.81 | 2.54 | 25.4 | 27.0 |
| Tolerance (mm) | max. | max. | max. | ±1.0 | ±0.1 | ±0.2 | ±0.2 | ±0.5 | approx. |



Bobbin Type 3:



| | A | B | C | D | E | F | G | Weight (g) |
|-----------------------|------|------|------|------|--------|------|------|------------|
| Dimension (mm) | 28.0 | 19.5 | 28.0 | 3.5 | SQ0.64 | 5.08 | 12.7 | 26.5 |
| Tolerance (mm) | max. | max. | max. | ±1.0 | ±0.1 | ±0.2 | ±0.2 | approx. |

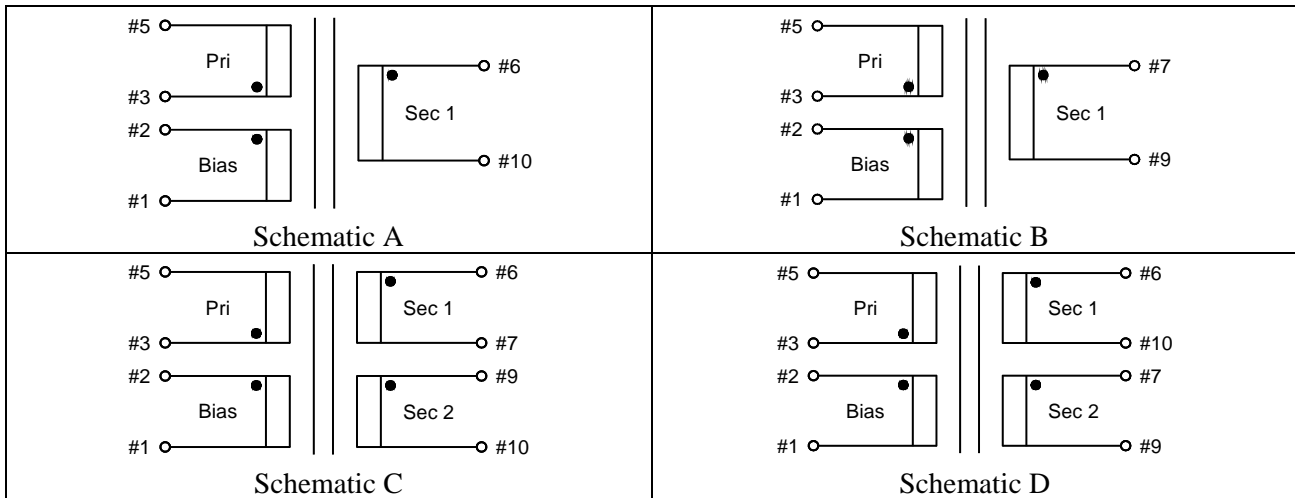


THAI LIN RADIO

since 1975

FLYBACK
TRANSFORMER
TYPE EF25

Available Schematics for Bobbin Type 3:



Available Items:

| Product Series | Power | Secondary Voltage | Bobbin Type & Schematic |
|--------------------------------------|---|---|--|
| TL484A (working frequency=132kHz) | 25 (=25W) 28 (=28W) 30 (=30W) 34 (=34W) 45 (=45W) | A (=3V) B (=5V) C (=6V) D (=10V) E (=12V) F (=15V) G (=20V) H (=24V) | 1A; 1B; 1C; 1D 2A; 2B; 2C; 2D 3A; 3B; 3C; 3D |

Part Number Designation:

TL484v-wwxyz

Where v = working frequency (A = 132kHz)
 ww = maximum output power
 x = secondary voltage
 y = available bobbin type
 z = available schematic

Example: TL484A-30E3C = 132kHz / 30W / 12V + 12V / Bobbin Type 3 / 2 outputs + bias

Example of application with Integrated Circuits:

| Product Series | Power (W) | IC Manufacturer | IC P/N | Primary Voltage (V) | Working Frequency (kHz) |
|----------------|-----------|--------------------|---------|---------------------|-------------------------|
| TL484A | 25 | Power Integrations | TOP244Y | 85-265 | 132 |
| TL484A | 28 | Power Integrations | TOP244 | 85-265 | 132 |
| TL484A | 30 | Power Integrations | TOP244P | 185-265 | 132 |
| TL484A | 34 | Power Integrations | TOP244 | 185-265 | 132 |
| TL484A | 45 | Power Integrations | TOP245 | 185-265 | 132 |