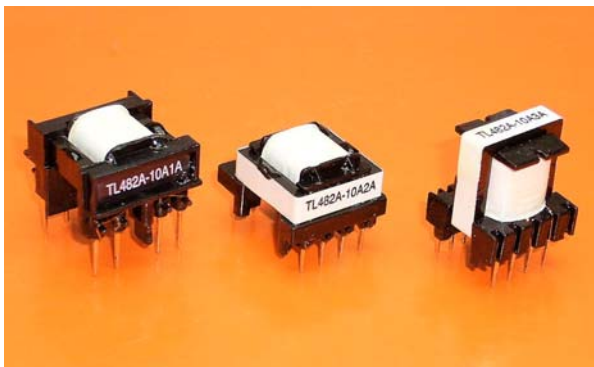




THAI LIN RADIO

since 1975

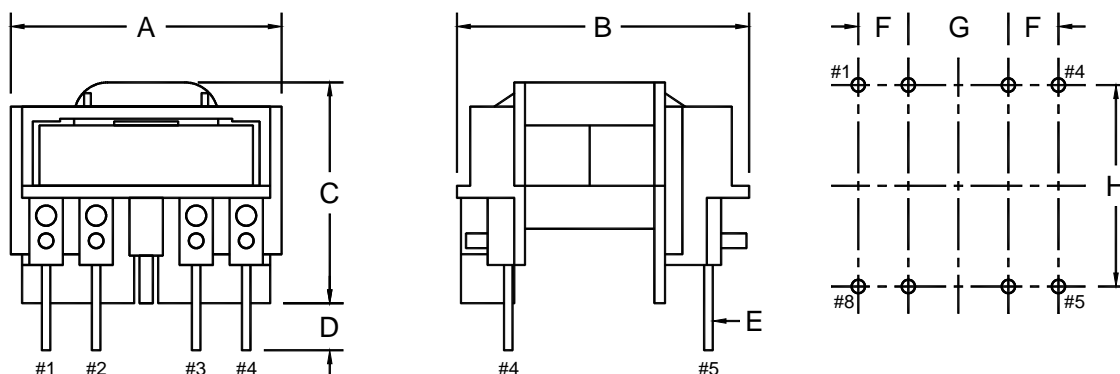
Трансформатор для преобразователя AC-DC FLYBACK TRANSFORMER TYPE EF16 Для импульсных источников питания EF16 (TL482 Series)



Flyback Transformer

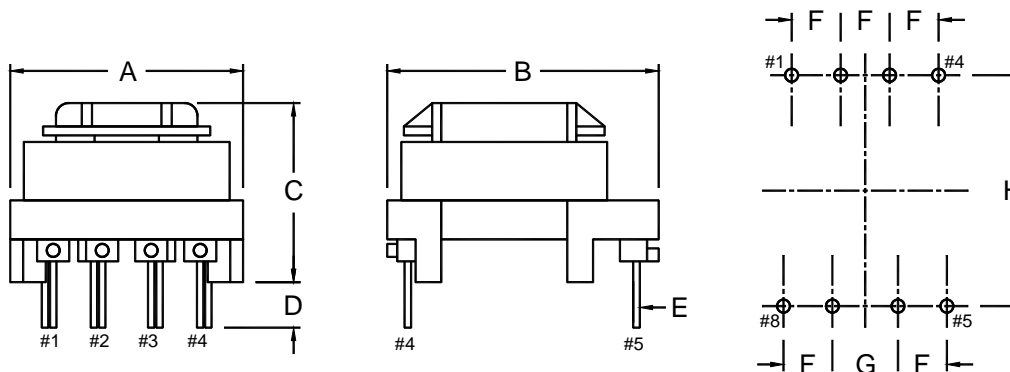
- Core Type: EF16
- Maximum Output Power: 16W
- Primary / Secondary Insulation – 4000Vrms
- Primary / Secondary Creepage – 6mm min.
- Triple insulated wire is used to provide reinforced insulation between windings.
- Insulation Material Class B (130°C)
- Construction conforms to EN 61558, EN 60950, EN 60065 & UL 60950 safety regulations
- Custom-made transformers are available upon request.

Bobbin Type 1:



	A	B	C	D	E	F	G	H	Weight (g)
Dimension (mm)	21.5	23.0	18.0	3.5	SQ0.64	3.75	7.5	15.0	8.5
Tolerance (mm)	max.	max.	max.	±1.0	±0.1	±0.2	±0.3	±0.5	approx.

Bobbin Type 2:



	A	B	C	D	E	F	G	H	Weight (g)
Dimension (mm)	19.0	22.0	15.5	3.5	SQ0.5	3.81	5.08	17.78	8.0
Tolerance (mm)	max.	max.	max.	±1.0	±0.1	±0.2	±0.3	±0.5	approx.

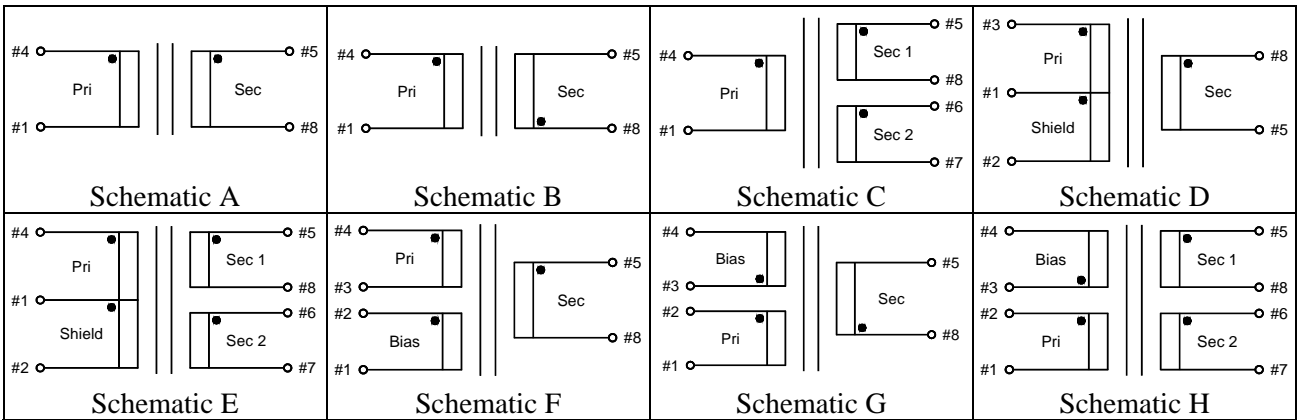


THAI LIN RADIO

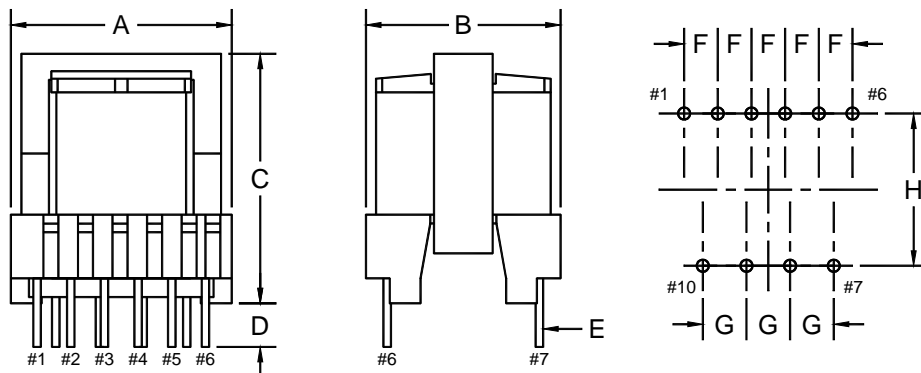
since 1975

FLYBACK
TRANSFORMER
TYPE EF16

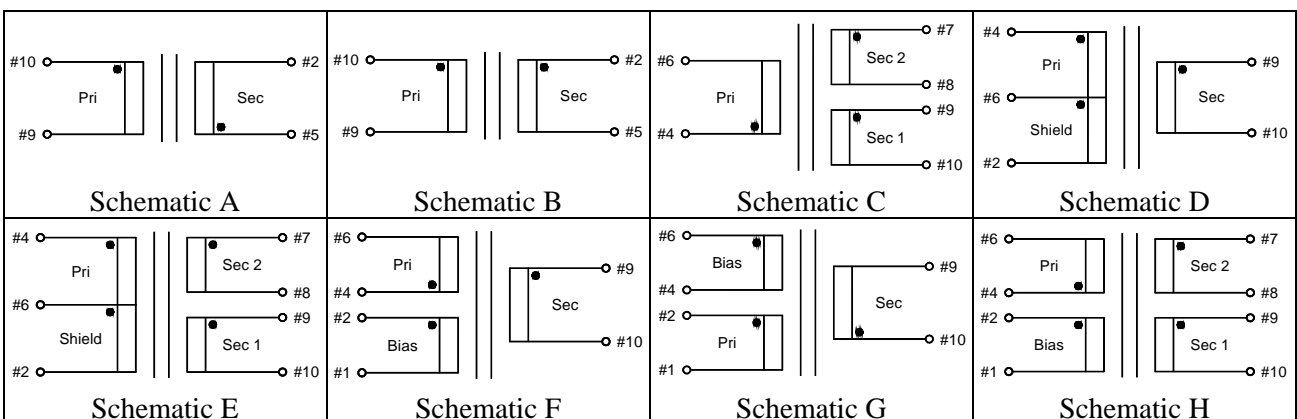
Available Schematics for Bobbin Type 1 & 2:



Bobbin Type 3 & Available Schematics:



	A	B	C	D	E	F	G	H	Weight (g)
Dimension (mm)	18.5	16.5	21.2	3.5	SQ0.5	2.7	3.5	12.2	9.0
Tolerance (mm)	max.	max.	max.	±1.0	±0.1	±0.2	±0.2	±0.5	approx.





THAI LIN RADIO

since 1975

FLYBACK
TRANSFORMER
TYPE EF16

Available Items:

Product Series	Power	Secondary Voltage	Bobbin Type & Schematic
TL482A (working frequency=132kHz)	03 (=3W)	A (=3V) B (=5V) C (=6V) D (=10V) E (=12V) F (=15V) G (=20V) H (=24V)	1A; 1B; 1C; 1D; 1E; 1F; 1G; 1H; 2A; 2B; 2C; 2D; 2E; 2F; 2G; 2H; 3A; 3B; 3C; 3D; 3E; 3F; 3G; 3H
	05 (=5W)		
	06 (=6W)		
	07 (=7W)		
	08 (=8W)		
	09 (=9W)		
	10 (=10W)		
	12 (=12W)		
TL482B (working frequency=44kHz)	16 (=16W)		
	01 (=1.5W)		
	03 (=3W)		
	04 (=4W)		

Part Number Designation:

TL482v-wwxyz

Where v = working frequency (A = 132kHz, B = 44kHz)
 ww = maximum output power
 x = secondary voltage
 y = available bobbin type
 z = available schematic

Example: TL482A-16E3H = 132kHz / 16W / 12V + 12V / Bobbin Type 3 / 2 outputs + bias

Example of application with Integrated Circuits:

Product Series	Power (W)	IC Manufacturer	IC P/N	Primary Voltage (V)	Working Frequency (kHz)
TL482A	3	Power Integrations	TNY263/264	85-265	132
TL482A	5	Power Integrations	TNY264	85-265	132
TL482A	6	Power Integrations	TNY266	85-265	132
TL482A	7	Power Integrations	TNY276	85-265	132
TL482A	8	Power Integrations	TNY267	85-265	132
TL482A	9	Power Integrations	TNY267/277	85-265	132
TL482A	10	Power Integrations	TNY268	85-265	132
TL482A	12	Power Integrations	TNY266	185-265	132
TL482A	16	Power Integrations	TNY279	85-265	132
TL482B	1.5	Power Integrations	TNY253	85-265	44
TL482B	3	Power Integrations	TNY254	85-265	44
TL480B	4	Power Integrations	TNY255	85-265	44