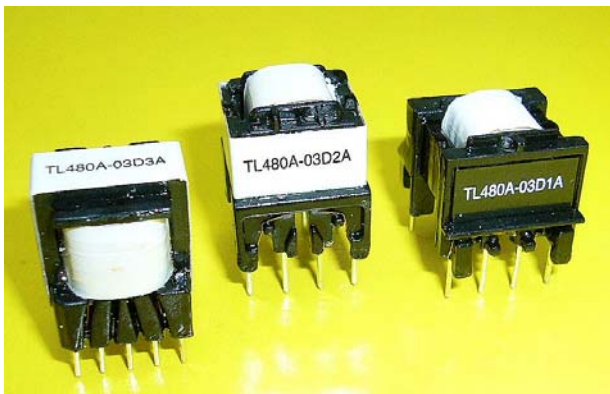




THAI LIN RADIO

since 1975

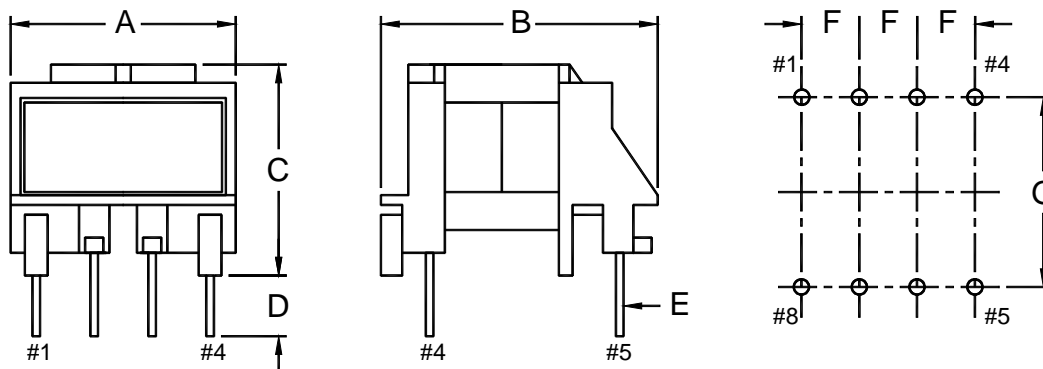
Трансформатор для преобразователя AC-DC
FLYBACK TRANSFORMER TYPE
E13/6 Для импульсных источников питания E13.6



Flyback Transformer

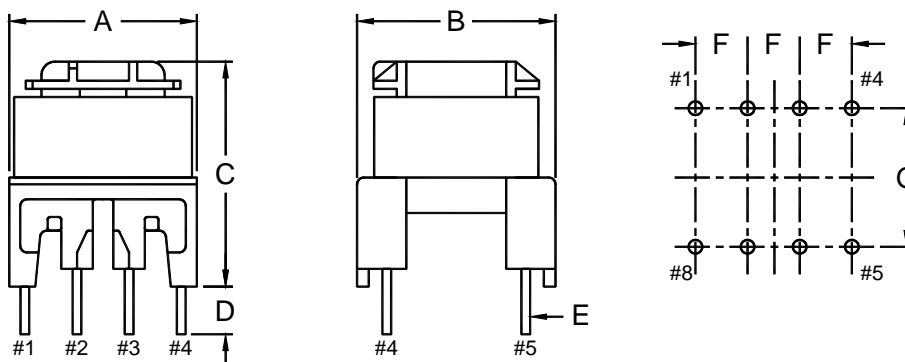
- Core Type: E13/6
- Maximum Output Power: 4.5W
- Primary / Secondary Insulation – 4000Vrms
- Primary / Secondary Creepage – 6mm min.
- Triple insulated wire is used to provide reinforced insulation between windings.
- Insulation Material Class B (130°C)
- Construction conforms to EN 61558, EN 60950, EN 60065 & UL 60950 safety regulations
- Custom-made transformers are available upon request.

Bobbin Type 1:



	A	B	C	D	E	F	G	Weight (g)
Dimension (mm)	15.5	19.0	15.0	3.5	SQ0.5	3.81	12.5	5.8
Tolerance (mm)	max.	max.	max.	±1.0	±0.1	±0.2	±0.5	approx.

Bobbin Type 2:



	A	B	C	D	E	F	G	Weight (g)
Dimension (mm)	15.0	15.5	18.0	3.5	SQ0.64	3.81	10.16	5.8
Tolerance (mm)	max.	max.	max.	±1.0	±0.1	±0.2	±0.5	approx.

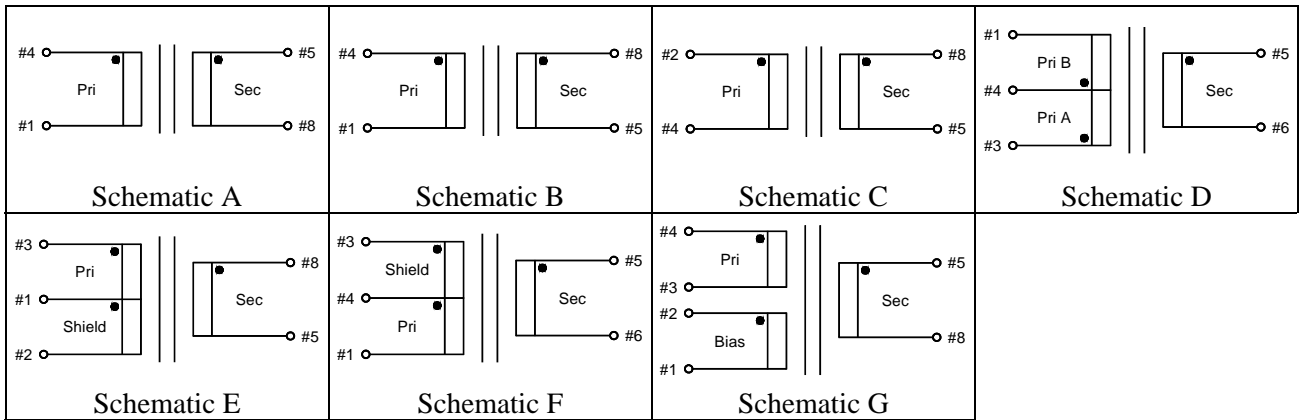


THAI LIN RADIO

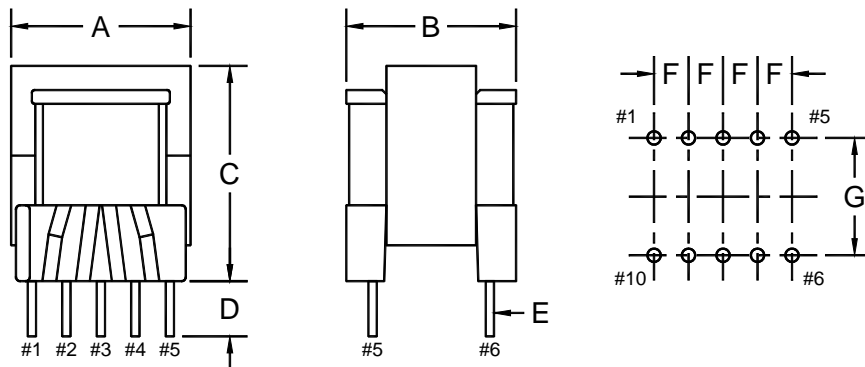
since 1975

FLYBACK
TRANSFORMER
TYPE E13/6

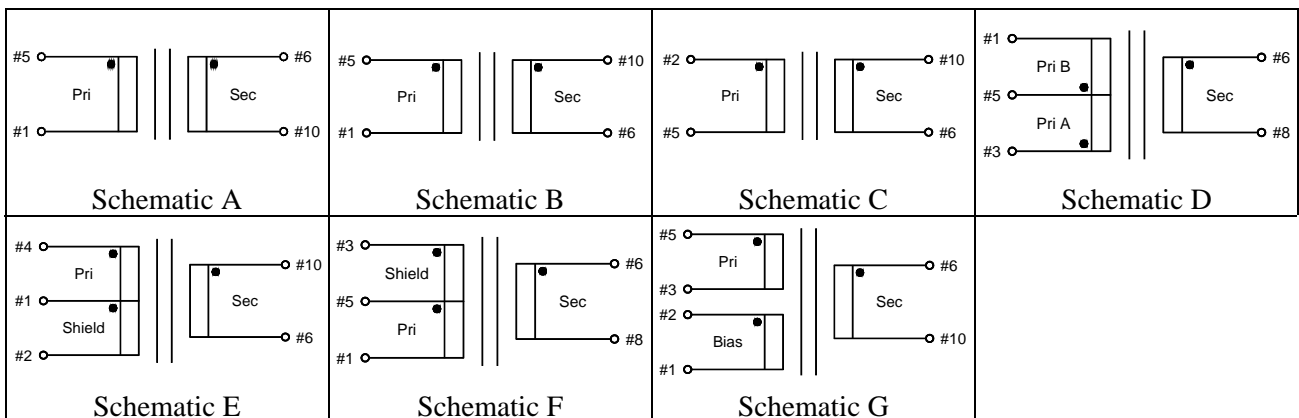
Available Schematics for Bobbin Type 1 & 2:



Bobbin Type 3 and Available Schematics:



	A	B	C	D	E	F	G	Weight (g)
Dimension (mm)	14.0	13.5	16.5	3.5	SQ0.5	2.5	8.5	6.0
Tolerance (mm)	max.	max.	max.	±1.0	±0.1	±0.2	±0.5	approx.





THAI LIN RADIO

since 1975

FLYBACK
TRANSFORMER
TYPE E13/6

Available Items:

Product Series	Power	Secondary Voltage	Bobbin Type & Schematic
TL480A (working frequency=132kHz)	02 (=2W)	A (=3V)	1A; 1B; 1C; 1D; 1E; 1F; 1G;
	03 (=3W)	B (=5V)	
	04 (=4.5W)	C (=6V)	2A; 2B; 2C; 2D; 2E; 2F; 2G;
		D (=10V)	
TL480B (working frequency=44kHz)	03 (=3W)	E (=12V)	3A; 3B; 3C; 3D; 3E; 3F; 3G
		F (=15V)	
		G (=20V)	
		H (=24V)	

Part Number Designation:

TL480v-wwxyz

Where v = working frequency (A = 132kHz, B = 44kHz)

ww = maximum output power

x = secondary voltage

y = available bobbin type

z = available schematic

Example: TL480A-02A3E = 132kHz / 2W / 3V / Bobbin Type 3 / 1 output + shield

Example of application with Integrated Circuits:

Product Series	Power (W)	IC Manufacturer	IC P/N	Primary Voltage (V)	Working Frequency (kHz)
TL480A	2	Power Integrations	TNY255	85-265	132
TL480A	3	Power Integrations	TNY263/264	85-265	132
TL480A	4.5	Power Integrations	LNK520	85-265	132
TL480B	3	Power Integrations	LNK500/501	85-265	44