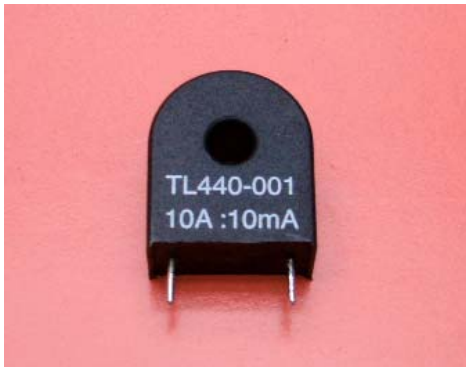




THAI LIN RADIO

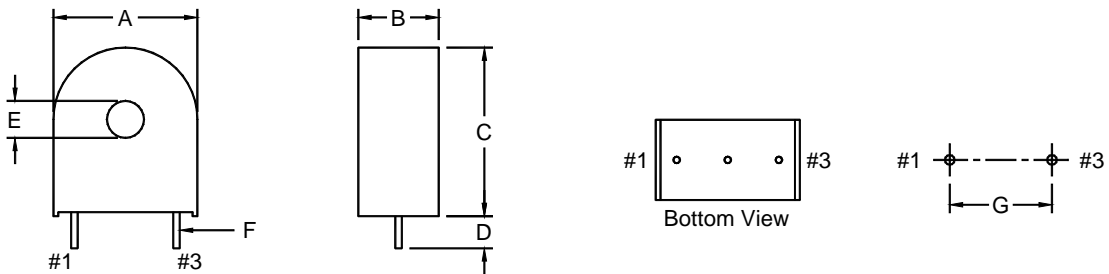
since 1975

Датчик тока
CURRENT SENSOR
FOR 50/60Hz



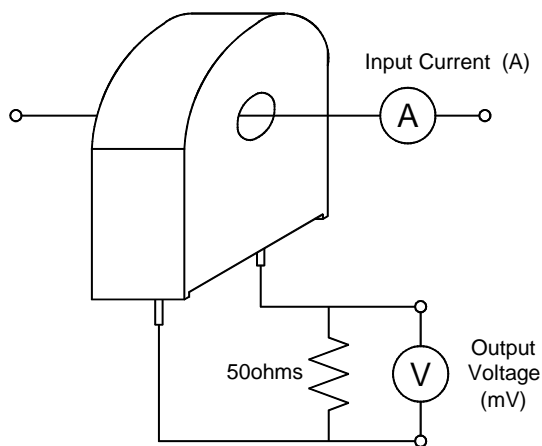
TL440 Series

- Fully encapsulated
- Sense up to 10 Amps RMS continuously
- Mains frequency of 50/60Hz
- Secondary fully isolated to 2500 Vrms
- Ideal for branch circuit overload and load drop or shutdown detection applications



	A	B	C	D	E	F	G	Weight (g)
Dimension (mm)	18.2	10.4	21.3	3.5	∅4.3	∅0.8	12.7	6
Tolerance (mm)	max.	max.	max.	min.	min.	± 0.1	± 0.5	approx.

Part Number	Current Range (Arms)	Measurement Conditions	Output Voltage Tolerance
TL440-001	1 – 10	Load = 50Ω, Input Current Range = 1 – 10Arms	± 10%



Test Circuit

